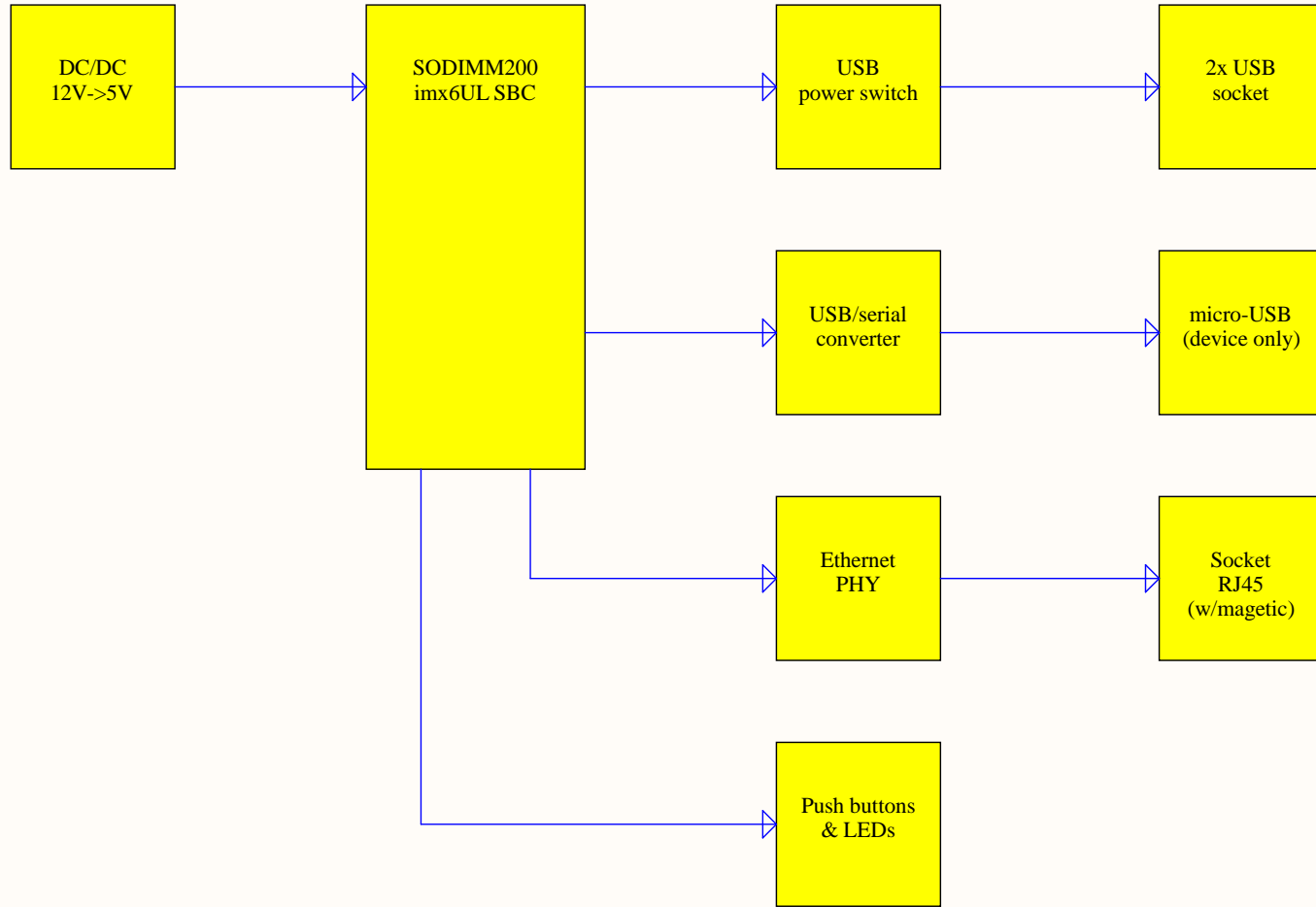


Block diagram

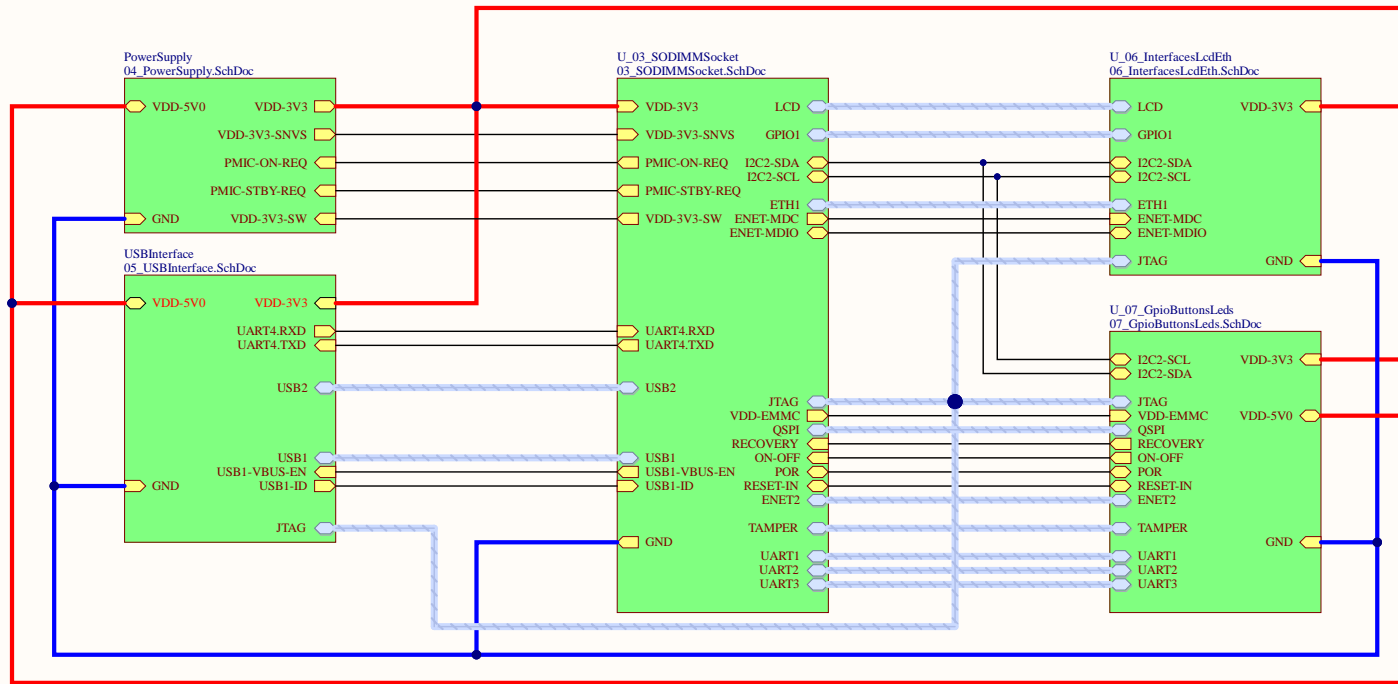


U_02_TopLevel
02_TopLevel.SchDoc



Title		
Size A3	Number	Revision
Date: 5.23.2022	Sheet of	
File: D:\Projekty\...01_BlockDiagram.SchDoc	Drawn By:	

Power tree



- F1
FIDUCIAL
- F2
FIDUCIAL
- F3
FIDUCIAL
- F4
FIDUCIAL
- F5
FIDUCIAL
- F6
FIDUCIAL

Title		
Size A3	Number	Revision
Date: 5.23.2022	Sheet of	
File: D:\Projekt\...02_TopLevel.SchDoc	Drawn By:	

A

A

B

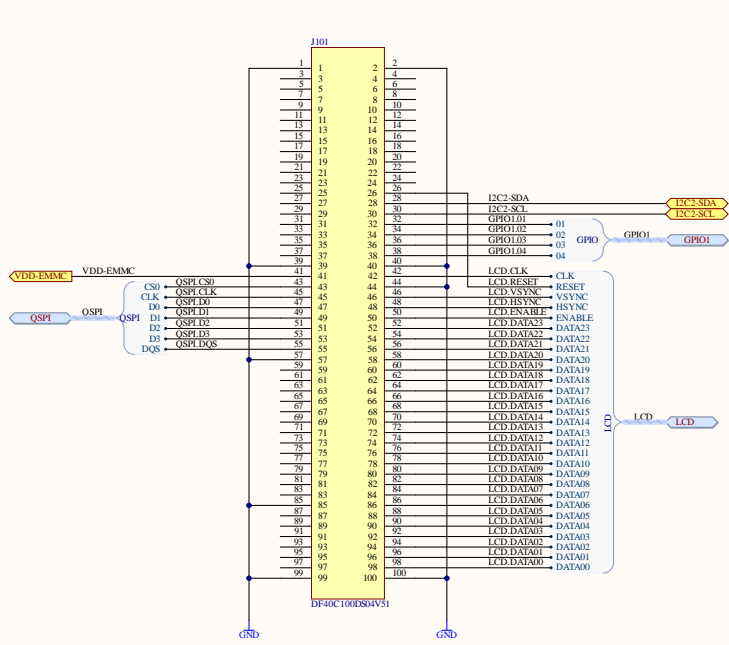
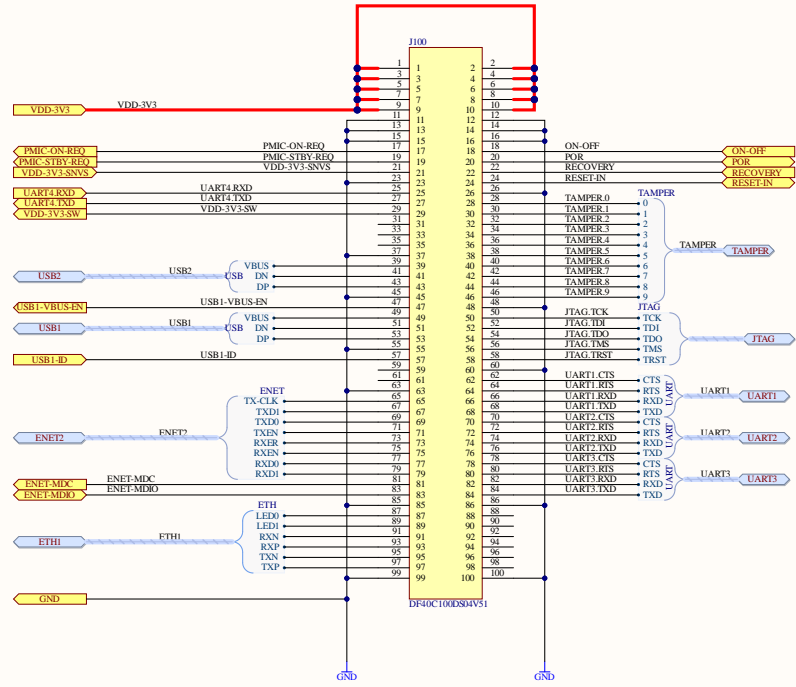
B

C

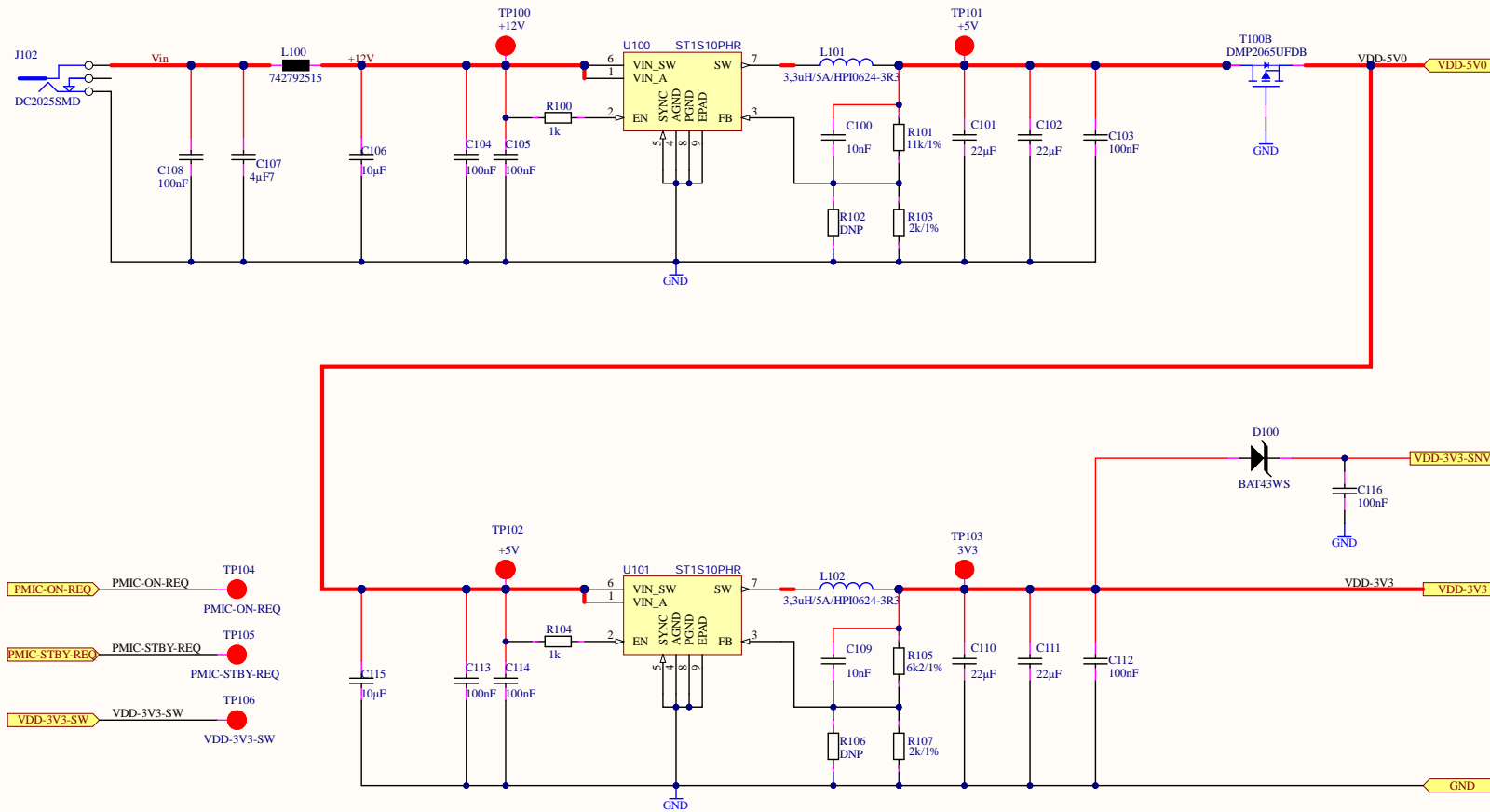
C

D

D

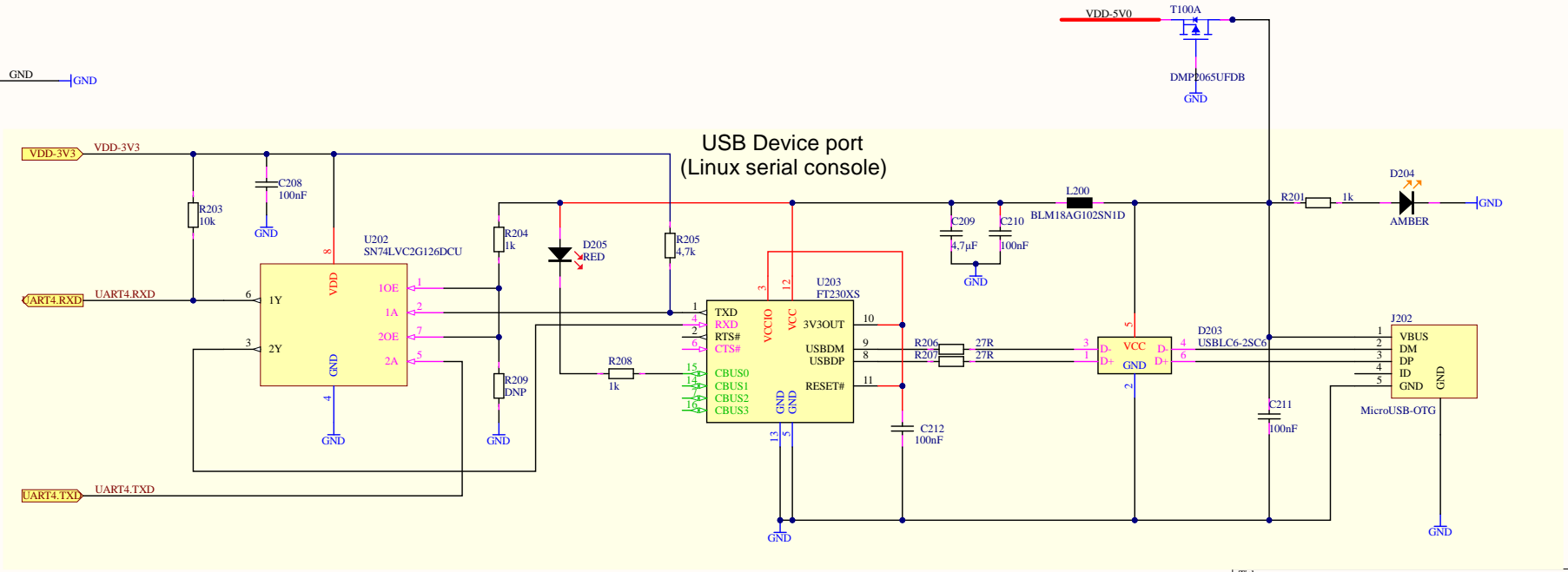
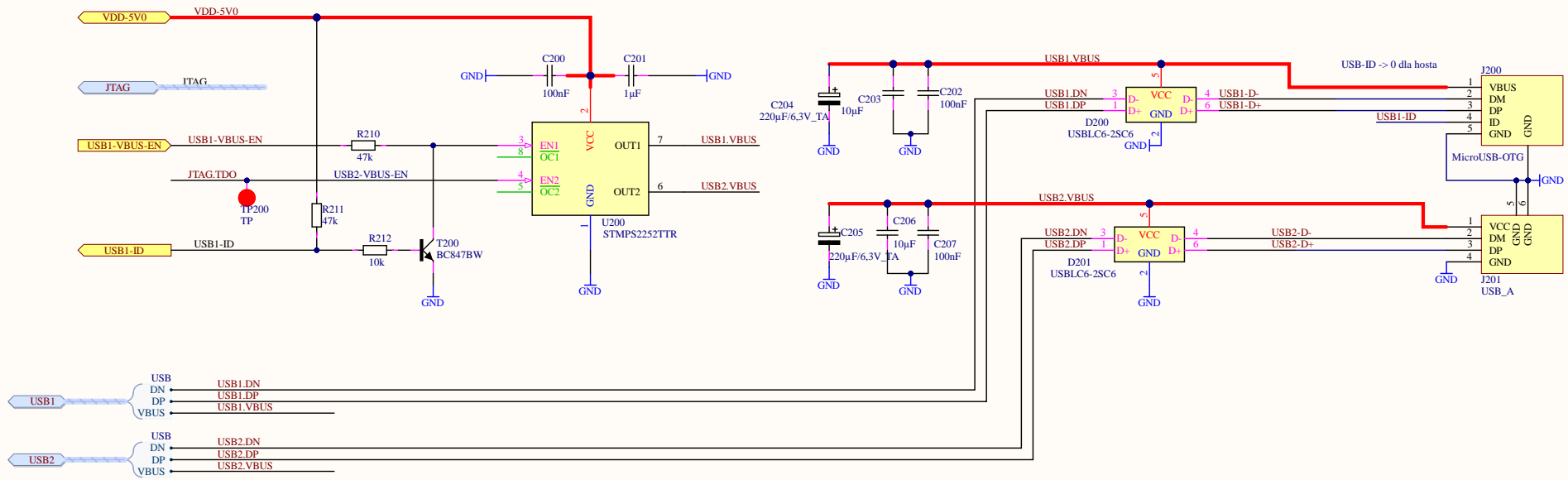


Power supply - DC/DC converter



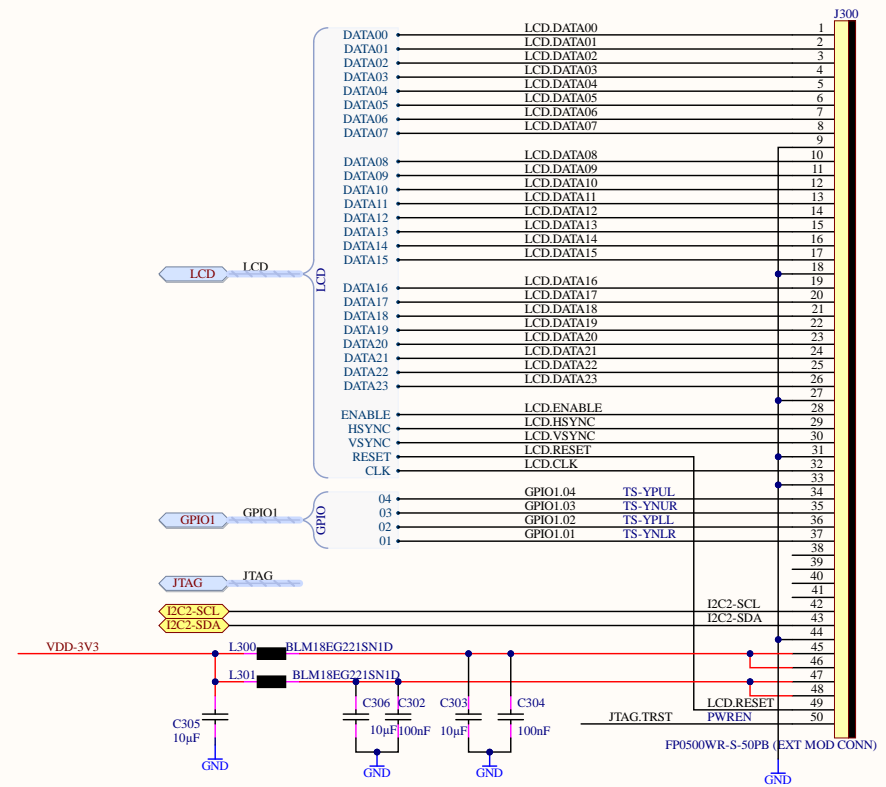
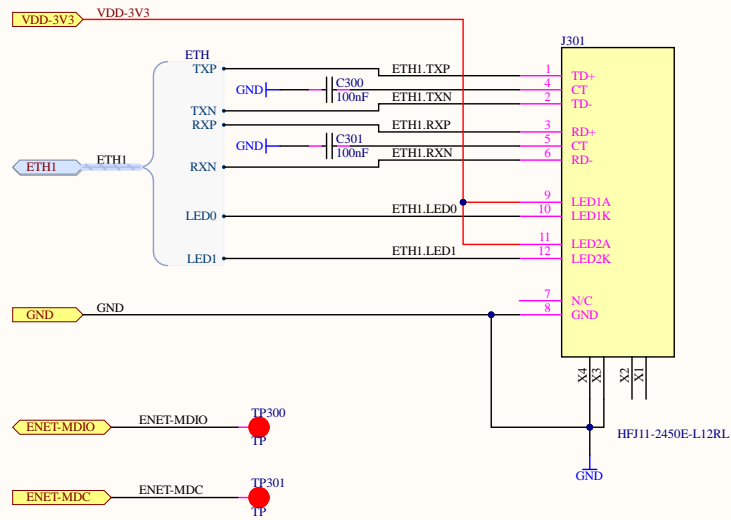
Title		
Size	Number	Revision
A3		
Date:	5.23.2022	Sheet of
File:	D:\Projekty\104_PowerSupply\SchDoc	Drawn By:

USB interfaces



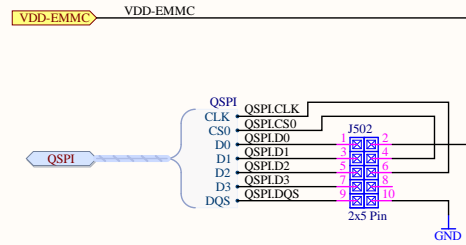
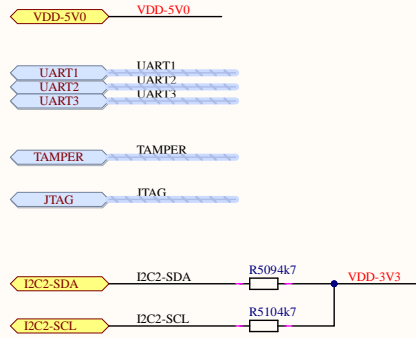
Title		
Size	Number	Revision
A3		
Date:	5.23.2022	Sheet of
File:	D:\Projekty\05_USBInterface.SchDoc	Drawn By:

Ethernet interface

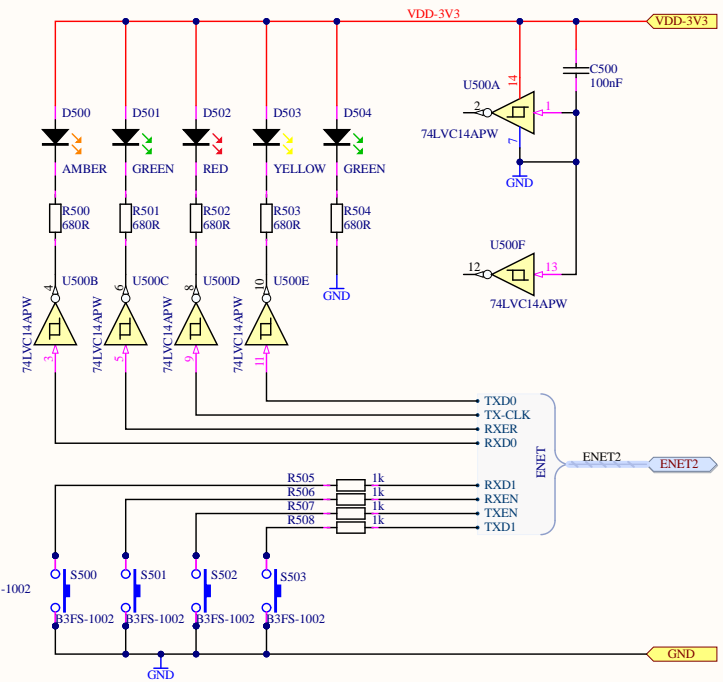
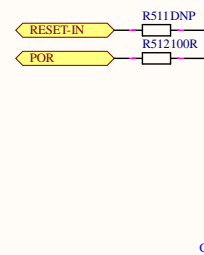
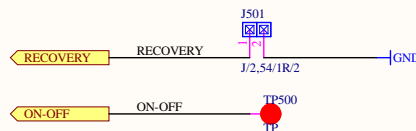
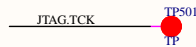
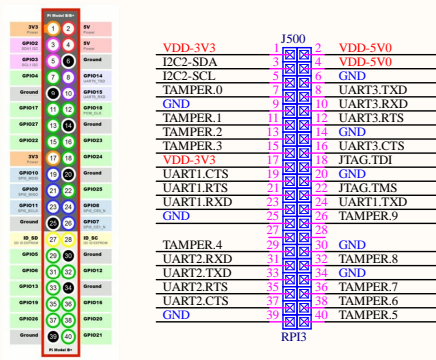


Title		
Size	Number	Revision
A3		
Date:	5.23.2022	Sheet of
File:	D:\Projekty\...06_InterfacesLcdEth.SchD	Drawn By:

Arduino shield - compatible interface



RPI3 compatible header



Title		
Size	Number	Revision
A3		
Date:	5.23.2022	Sheet of
File:	D:\Projekty\...07_GpioButtons.Leds.Sch1	Drawn By: