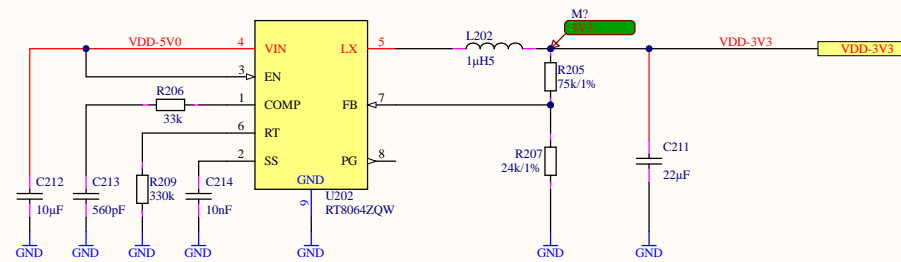
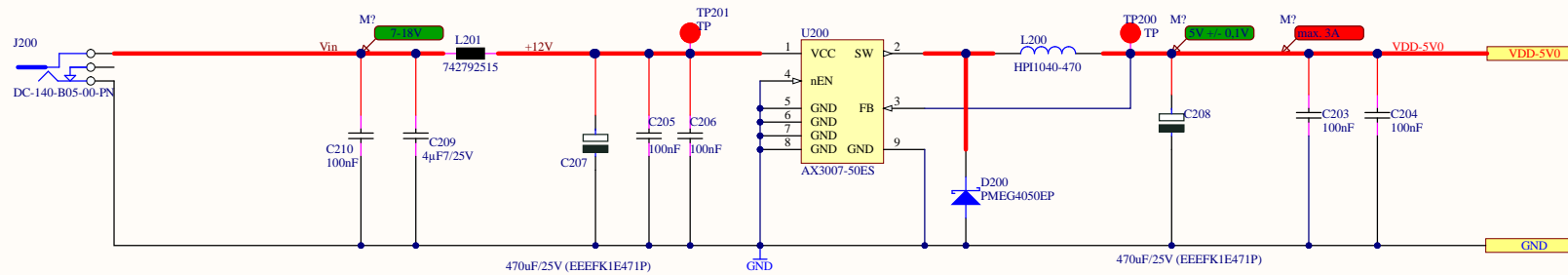


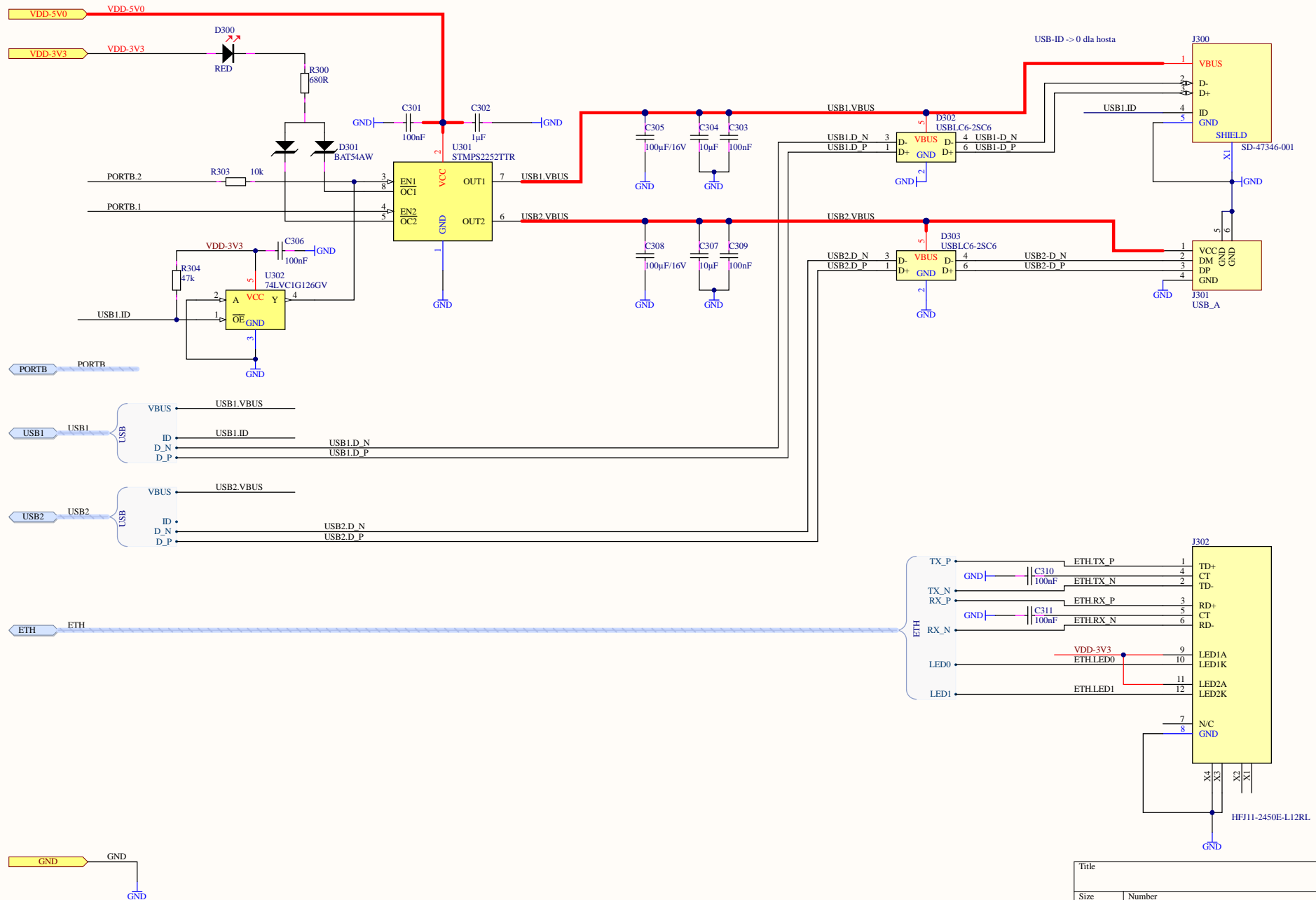
Title		
Size	Number	Revision
A3		
Date:	3.03.2025	Sheet of
File:	D:\Projekt\...04_Connectors.SchDoc	Drawn By:

Power supply - DC/DC converter



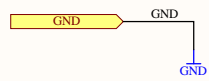
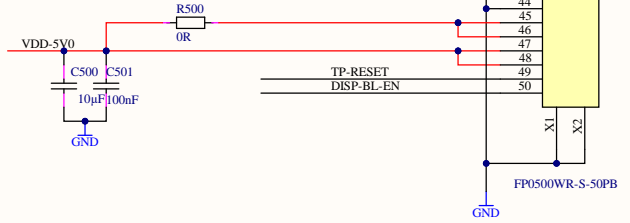
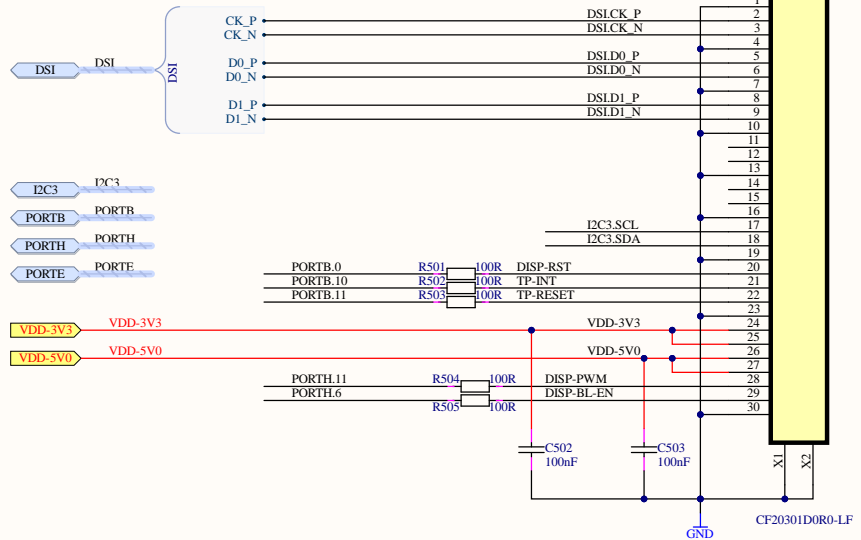
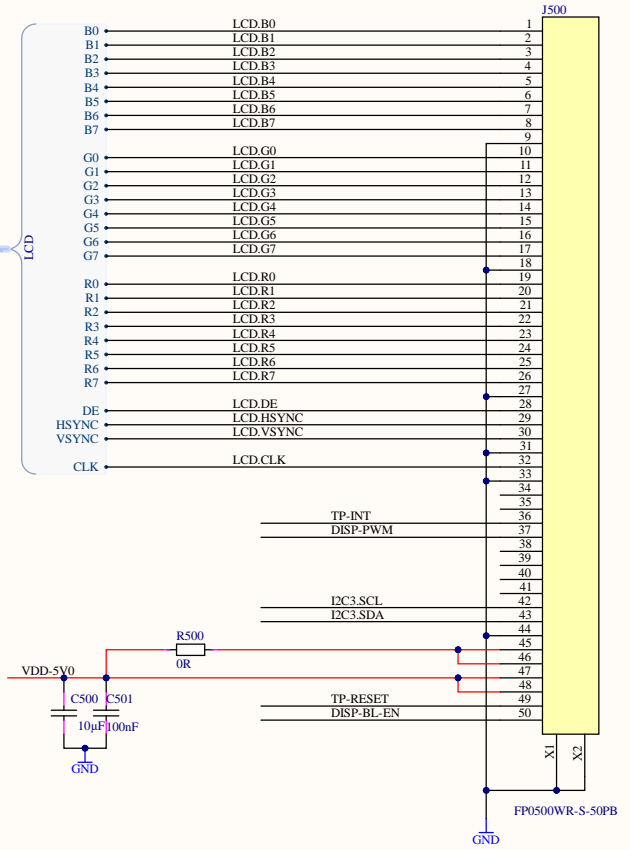
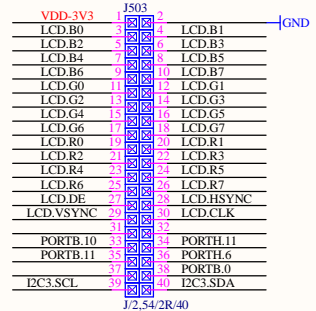
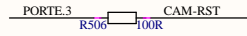
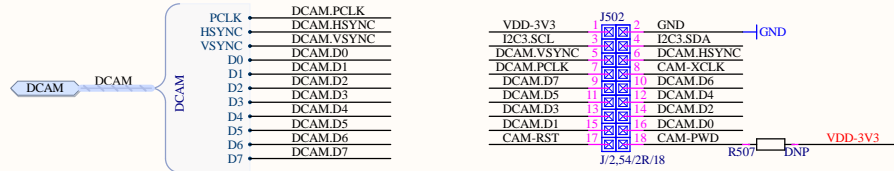
Title		
Size A3	Number	Revision
Date: 3.03.2025	Sheet of	
File: D:\Projekt\...05_PowerSupply.SchDoc	Drawn By:	

USB & Ethernet interfaces



Title		
Size	Number	Revision
A3		
Date:	3.03.2025	Sheet of
File:	D:\Projekt\...06_USB EthernetIF.SchDoc	Drawn By:

Camera & Display IF



Title		
Size	Number	Revision
A3		
Date:	3.03.2025	Sheet of
File:	D:\Projekty\07_DisplayCamera\Fsch\	Drawn By:

VDD-5V0

VDD-3V3

CAN1

CAN

TX

CAN1.TX

RX

CAN1.RX

PORTB.5

PORTB

PORTD

PORTG

VDD-3V3

C700 100nF

C701 100nF

C702 1µF

C703 1µF

U700 MCP2542FD-E/SN

TXD

RXD

STB

GND

GND

GND

GND

GND

GND

GND

GND

GND

GND

GND

GND

GND

GND

GND

GND

GND

GND

GND

GND

GND

GND

GND

GND

GND

GND

GND

GND

GND

GND

GND

GND

GND

GND

GND

GND

GND

GND

GND

GND

GND

GND

GND

GND

GND

GND

GND

GND

GND

GND

GND

GND

GND

GND

GND

GND

GND

GND

GND

GND

GND

GND

GND

GND

GND

GND

GND

GND

GND

GND

GND

GND

GND

GND

GND

GND

GND

GND

GND

GND

GND

GND

GND

GND

GND

GND

GND

GND

GND

GND

GND

GND

GND

GND

GND

GND

GND

GND

GND

GND

GND

GND

GND

GND

GND

GND

GND

GND

GND

GND

GND

GND

GND

GND

GND

GND

GND

GND

GND

GND

GND

GND

GND

GND

GND

GND

GND

GND

GND

GND

GND

GND

GND

GND

GND

GND

GND

GND

GND

GND

GND

GND

GND

GND

GND

GND

GND

GND

GND

GND

GND

GND

GND

GND

GND

GND

GND

GND

GND

GND

GND

GND

GND

GND

GND

GND

GND

GND

GND

GND

GND

GND

GND

GND

GND

GND

GND

GND

GND

GND

GND

GND

GND

GND

GND

GND

GND

GND

GND

GND

GND

GND

GND

GND

GND

GND

GND

GND

GND

GND

GND

GND

GND

GND

GND

GND

GND

GND

GND

GND

GND

GND

GND

GND

GND

GND

GND

GND

GND

GND

GND

GND

GND

GND

GND

GND

GND

GND

GND

GND

GND

GND

GND

GND

GND

GND

GND

GND

GND

GND

GND

GND

GND

GND

GND

GND

GND

GND

GND

GND

GND

GND

GND

GND

GND

GND

GND

GND

GND

GND

GND

GND

GND

GND

GND

GND

GND

GND

GND

GND

GND

GND

GND

GND

GND

GND

GND

GND

GND

GND

GND

GND

GND

GND

GND

GND

GND

GND

GND

GND

GND

GND

GND

GND

GND

GND

GND

GND

GND

GND

GND

GND

GND

GND

GND

GND

GND

GND

GND

GND

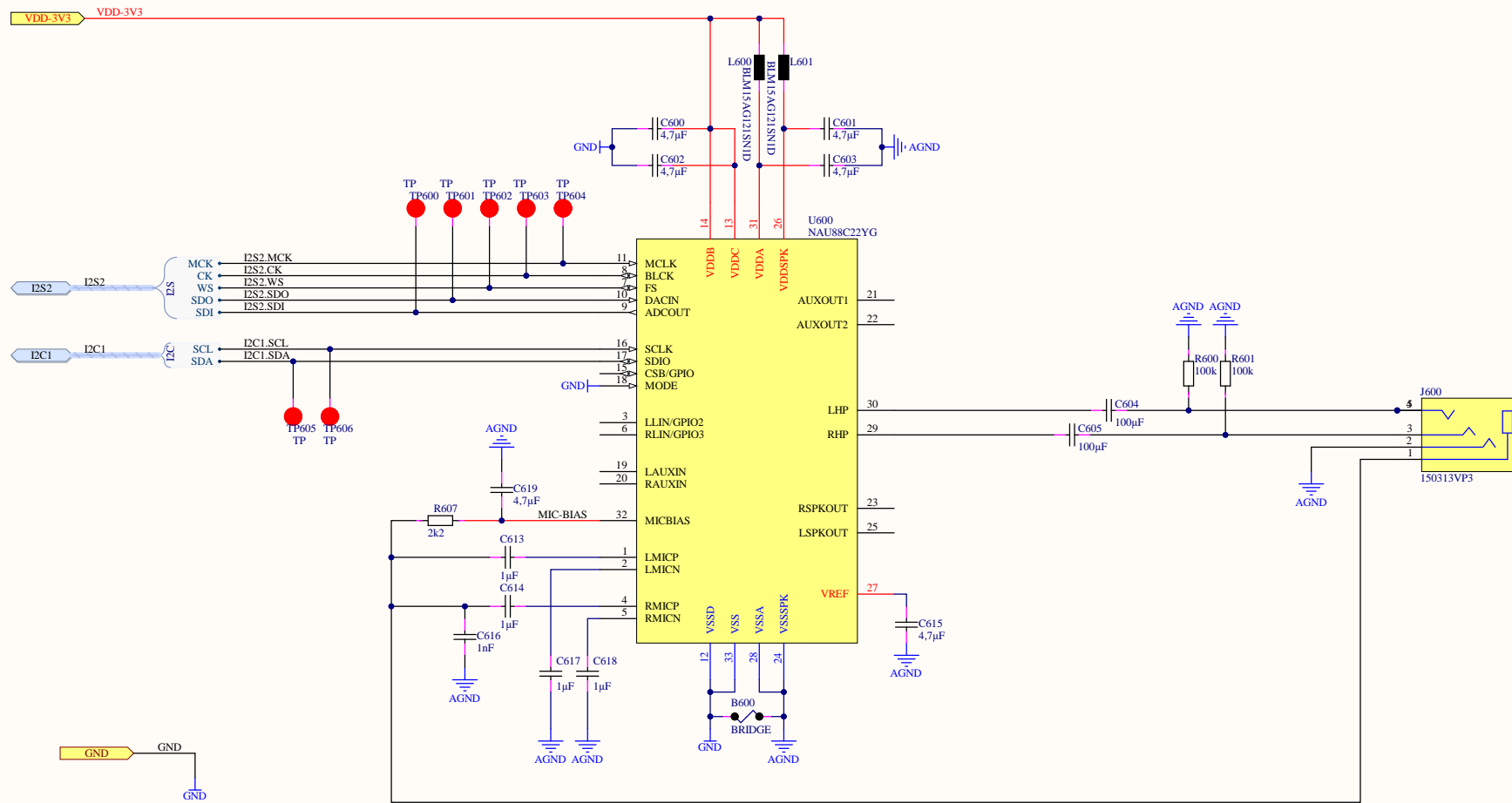
GND

GND

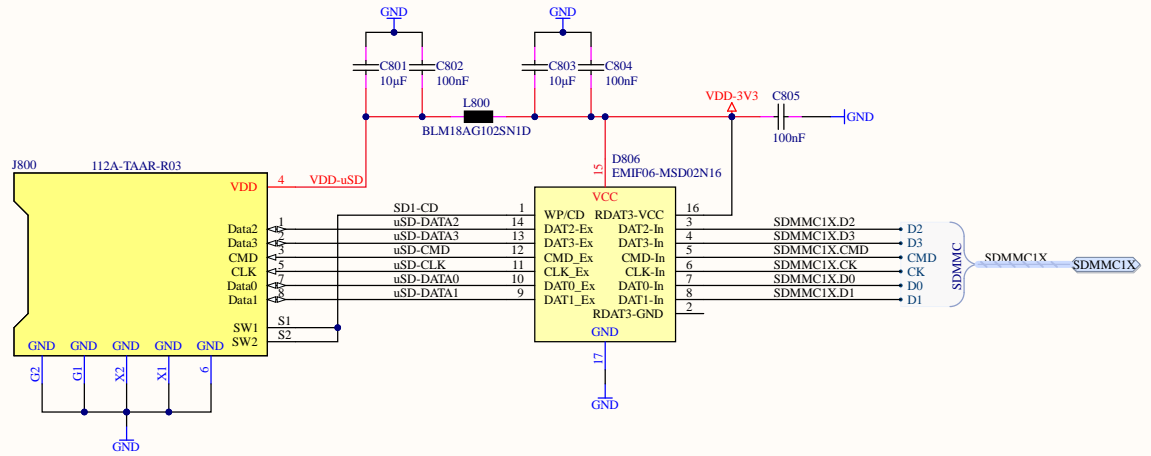
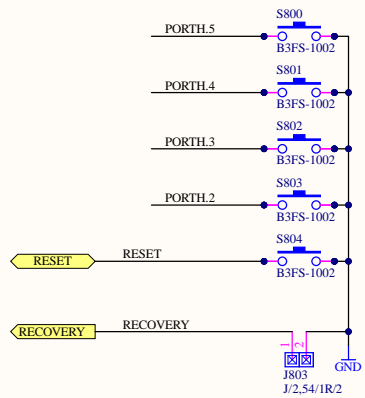
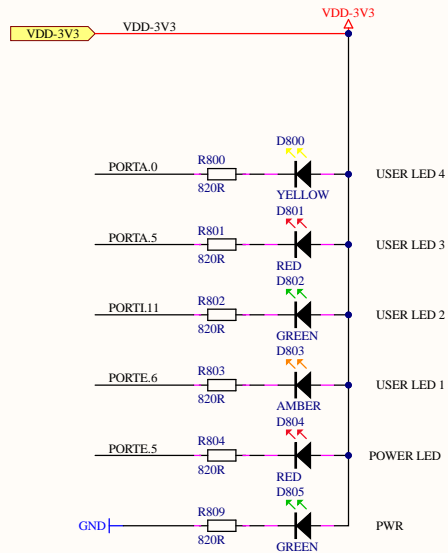
GND

GND

AUDIO-CODEC



Title		
Size A3	Number	Revision
Date: 3.03.2025	File: D:\Projekt\...09_AudioCodec.SchDoc	Sheet of Drawn By:



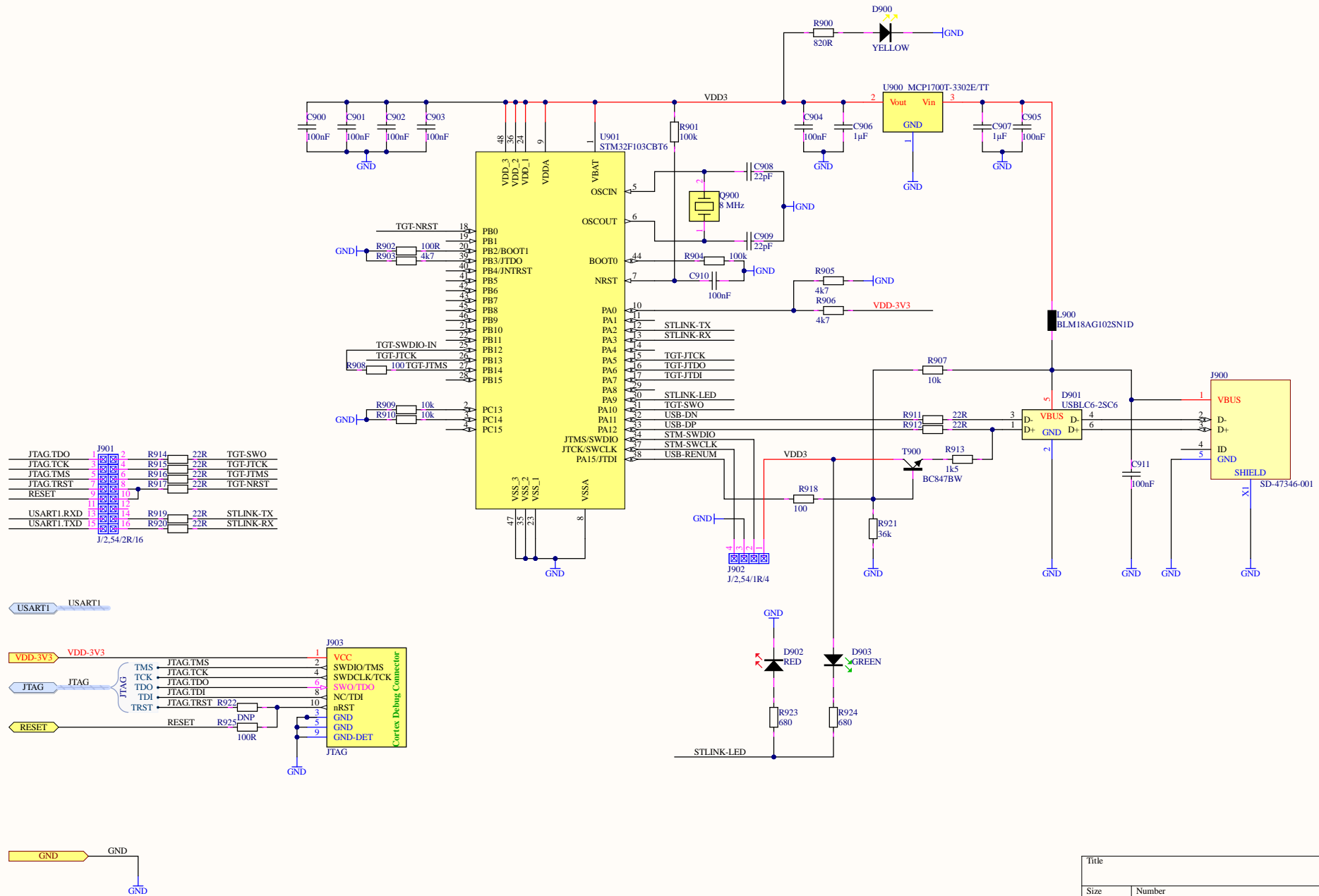
VDD-3V3	1	801	2
UART2X.TXD	3	802	4
UART2X.RXD	5	803	6
UART2X.RTS	7	804	8
PORTC.7	9	805	10
PORTL14	11	806	12
PORTL9	13	807	14
CAN1.TX	15	808	16
CAN1.RX	17	809	18
PORTG.14	19	810	20
PORTB.5	21	811	22
PORTE.5	23	812	24
PORTL11	25	813	26
PORTH.3	27	814	28
PORTH.5	29	815	30
PORTA.0	31	816	32
PC3_C	33	817	34
PA1_C	35	818	36
PA0_C	37	819	38
UART7.RTS	39	820	40
UART7.RXD	41	821	42

J/2,54/2R/40

CAN1	CAN1
IC1	IC1
PORTA	PORTA
PORTB	PORTB
PORTC	PORTC
PORTD	PORTD
PORTE	PORTE
PORTF	PORTF
PORTG	PORTG
PORTH	PORTH
PORTI	PORTI
UART2X	UART2X
UART7	UART7
PDR-ON	PDR-ON
PA0_C	PA0_C
PA1_C	PA1_C
PC2_C	PC2_C
PC3_C	PC3_C

Title		
Size	Number	Revision
A3		
Date:	3.03.2025	Sheet of
File:	D:\Projekty\10_ButtonLedsGpio.SchD	Drawn By:

SWD & Serial Console over USB



Title		
Size	Number	Revision
A3		
Date:	3.03.2025	Sheet of
File:	D:\Projekty\11_DebugInterface.SchDoc	Drawn By: