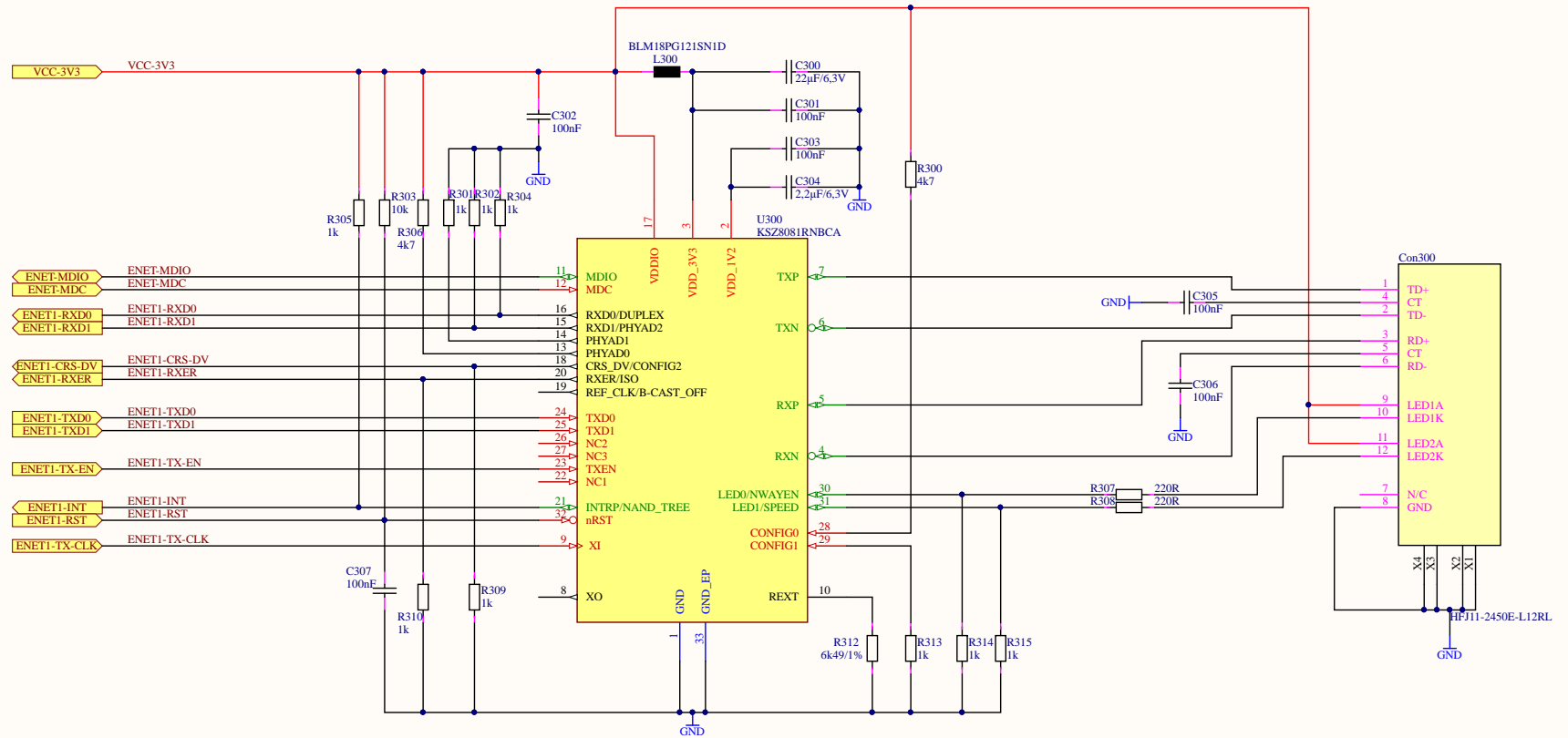
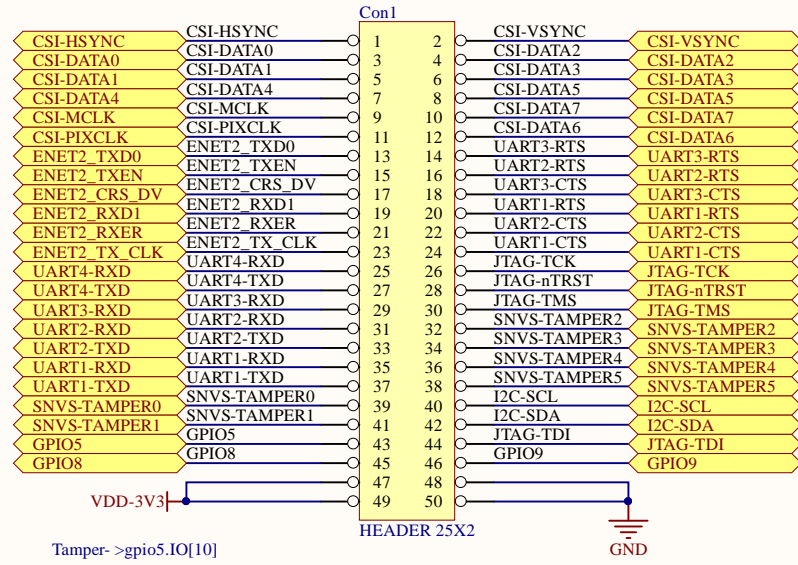


Ethernet interface

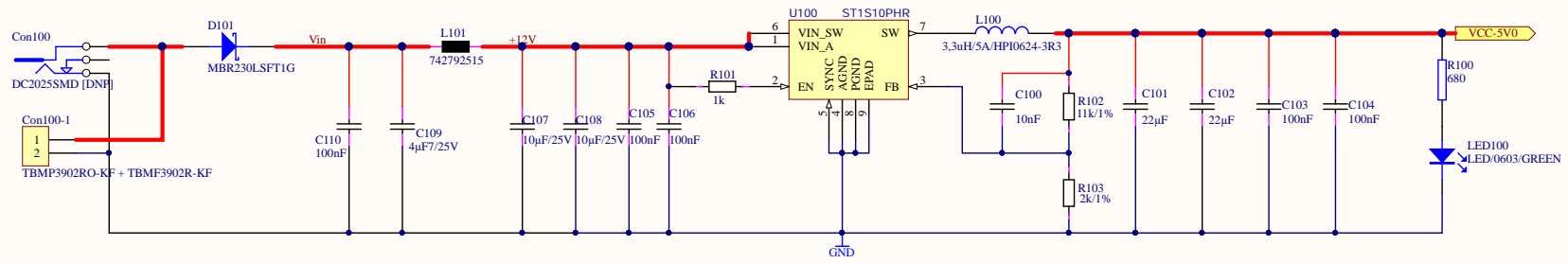


Title		
Size	Number	Revision
A3		
Date:	03.01.2019	Sheet of
File:	D:\Projekt\...\EthInterface.SchDoc	Drawn By:

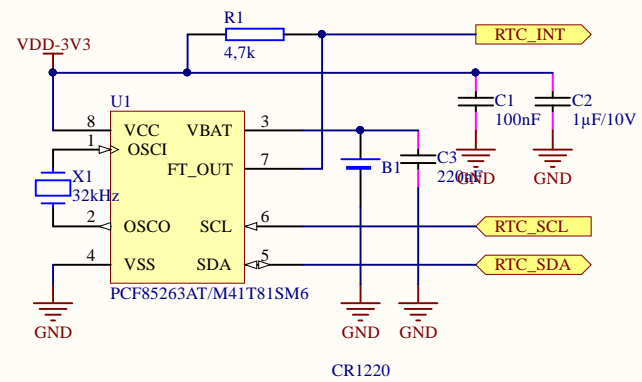


Title		
Size	Number	Revision
A4		
Date:	03.01.2019	Sheet of
File:	D:\Projekty\...\IO.SchDoc	Drawn By:

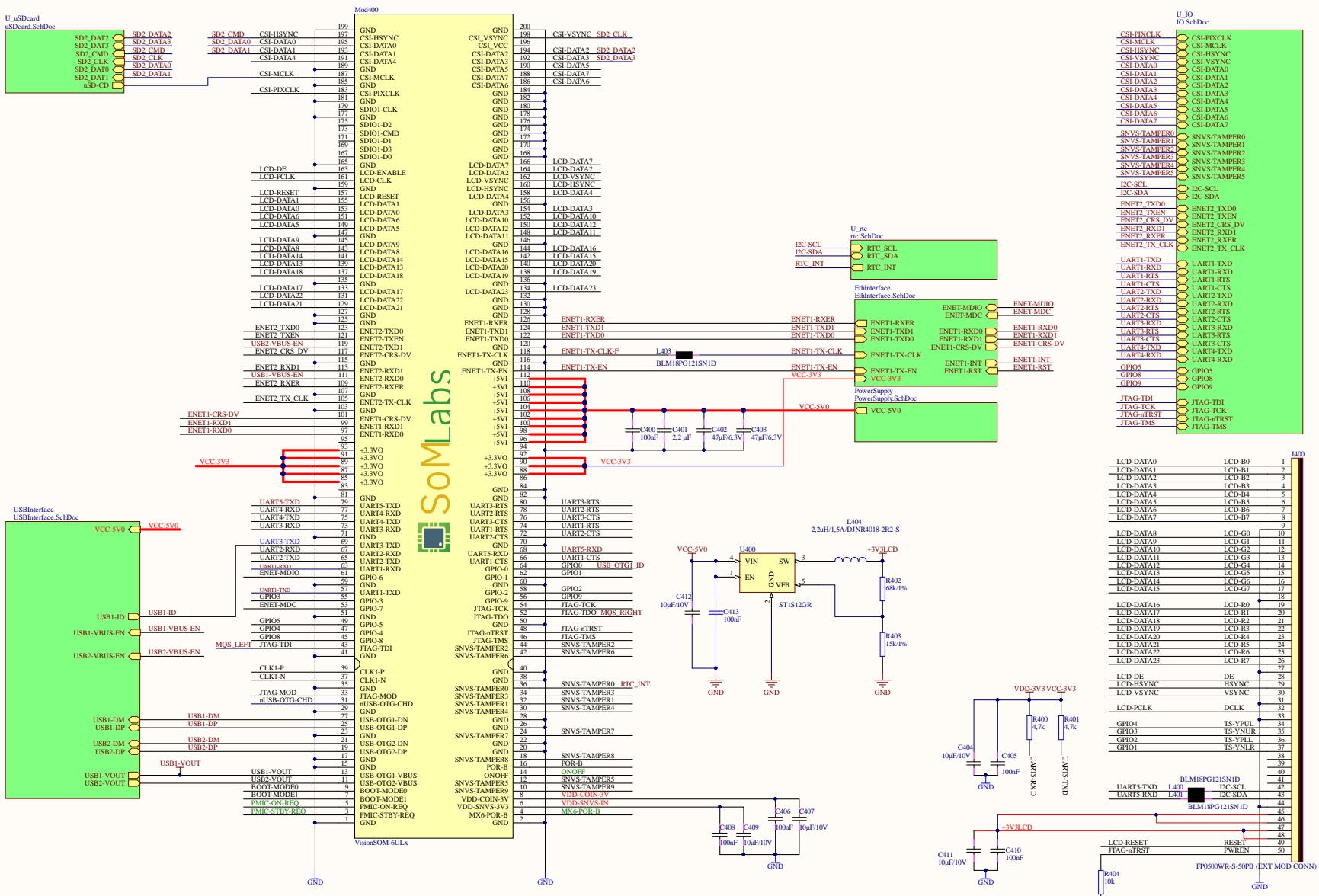
Power supply - DC/DC converter



Title		
Size A3	Number	Revision
Date: 03.01.2019	Sheet of	
File: D:\Projekt\...\PowerSupply.SchDoc	Drawn By:	

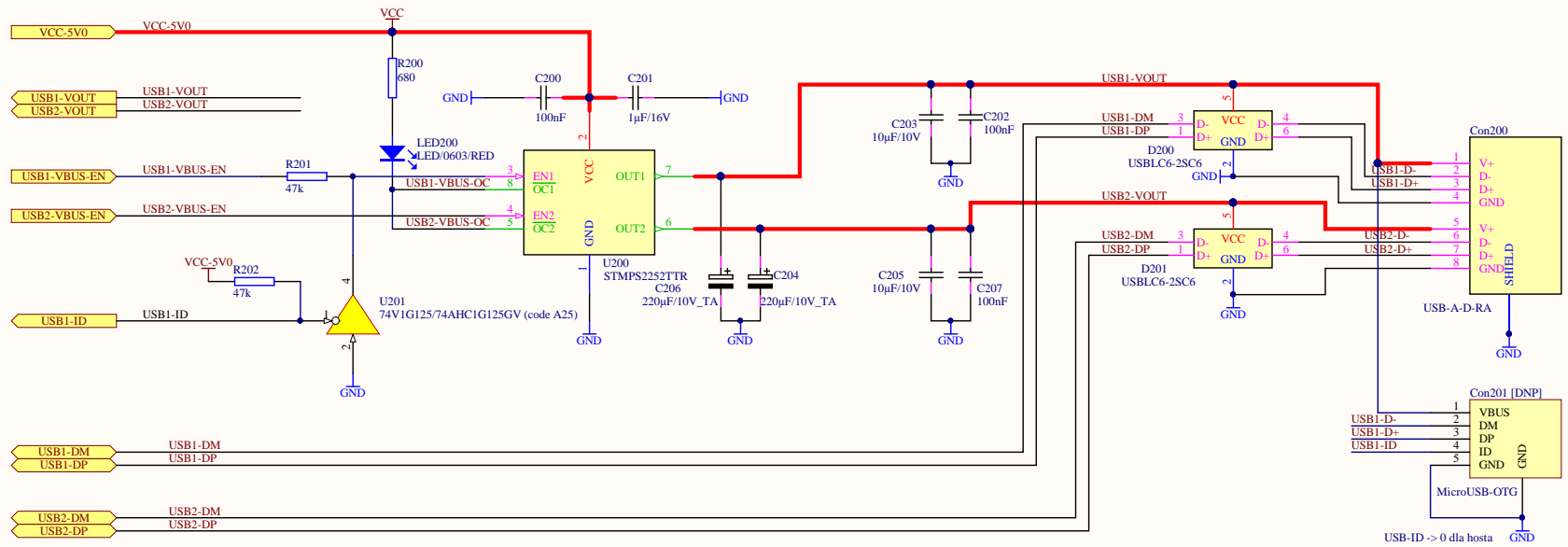


Title		
Size A4	Number	Revision
Date: 03.01.2019	Sheet of	
File: D:\Projekty\...\rtc.SchDoc	Drawn By:	

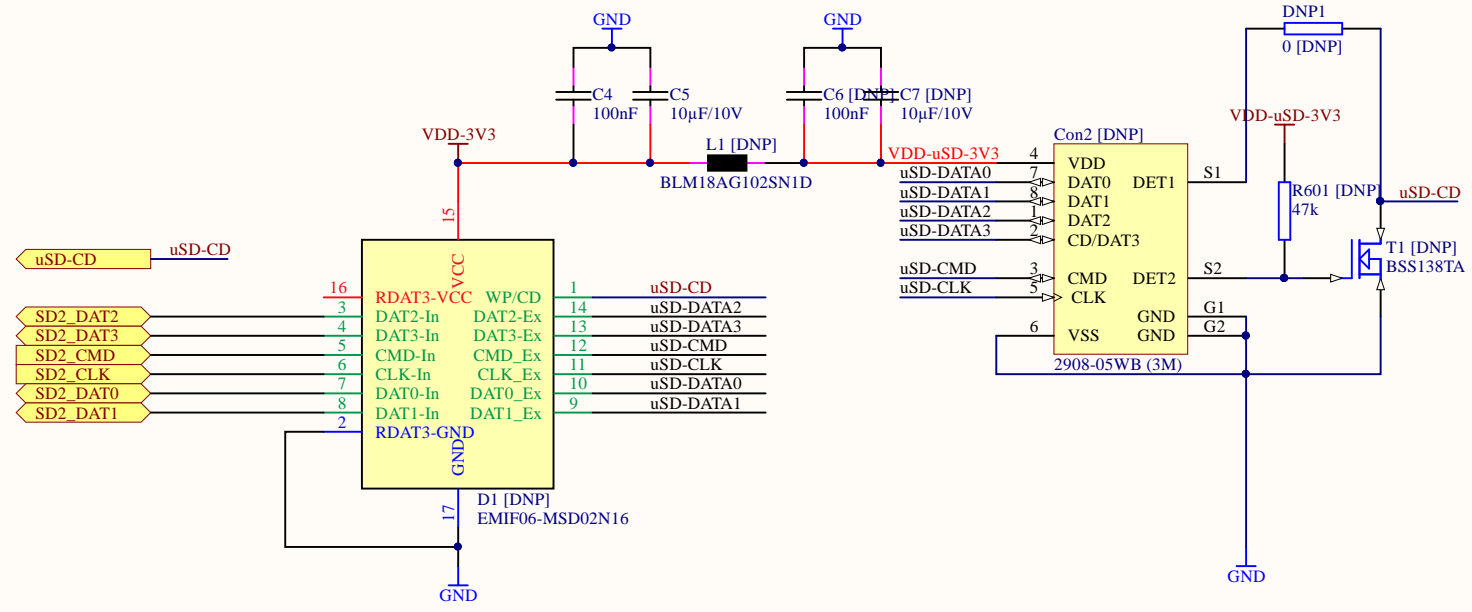


LCD-DATA0	LCD-B0	1	1400
LCD-DATA1	LCD-B1	2	
LCD-DATA2	LCD-B2	3	
LCD-DATA3	LCD-B3	4	
LCD-DATA4	LCD-B4	5	
LCD-DATA5	LCD-B5	6	
LCD-DATA6	LCD-B6	7	
LCD-DATA7	LCD-B7	8	
LCD-DATA8	LCD-G0	10	
LCD-DATA9	LCD-G1	11	
LCD-DATA10	LCD-G2	12	
LCD-DATA11	LCD-G3	13	
LCD-DATA12	LCD-G4	14	
LCD-DATA13	LCD-G5	15	
LCD-DATA14	LCD-G6	16	
LCD-DATA15	LCD-G7	17	
LCD-DATA16	LCD-R0	19	
LCD-DATA17	LCD-R1	20	
LCD-DATA18	LCD-R2	21	
LCD-DATA19	LCD-R3	22	
LCD-DATA20	LCD-R4	23	
LCD-DATA21	LCD-R5	24	
LCD-DATA22	LCD-R6	25	
LCD-DATA23	LCD-R7	26	
LCD-DE	DE	28	
LCD-HSYNC	HSYNC	29	
LCD-VSYNC	VSYNC	30	
LCD-PCLK	DCLK	31	
GPIO4	TS-VPLL	34	
GPIO3	TS-VNIR	35	
GPIO2	TS-VPL1	36	
GPIO1	TS-VNIR	37	
		38	
		39	
		40	
		41	
		42	
		43	
		44	
		45	
		46	
		47	
		48	
		49	
		50	

Title			
Size	Number	Revision	
C			
Date:	03.01.2019	Sheet	of
File:	D:\Projekte\...SODIMMSocket_SchDoc	Drawn	By:



Title		
Size	Number	Revision
A3		
Date:	03.01.2019	Sheet of
File:	D:\Projekt\...\USBInterface.SchDoc	Drawn By:



Title		
Size	Number	Revision
A4		
Date:	03.01.2019	Sheet of
File:	D:\Projekty\..\uSDcard.SchDoc	Drawn By: