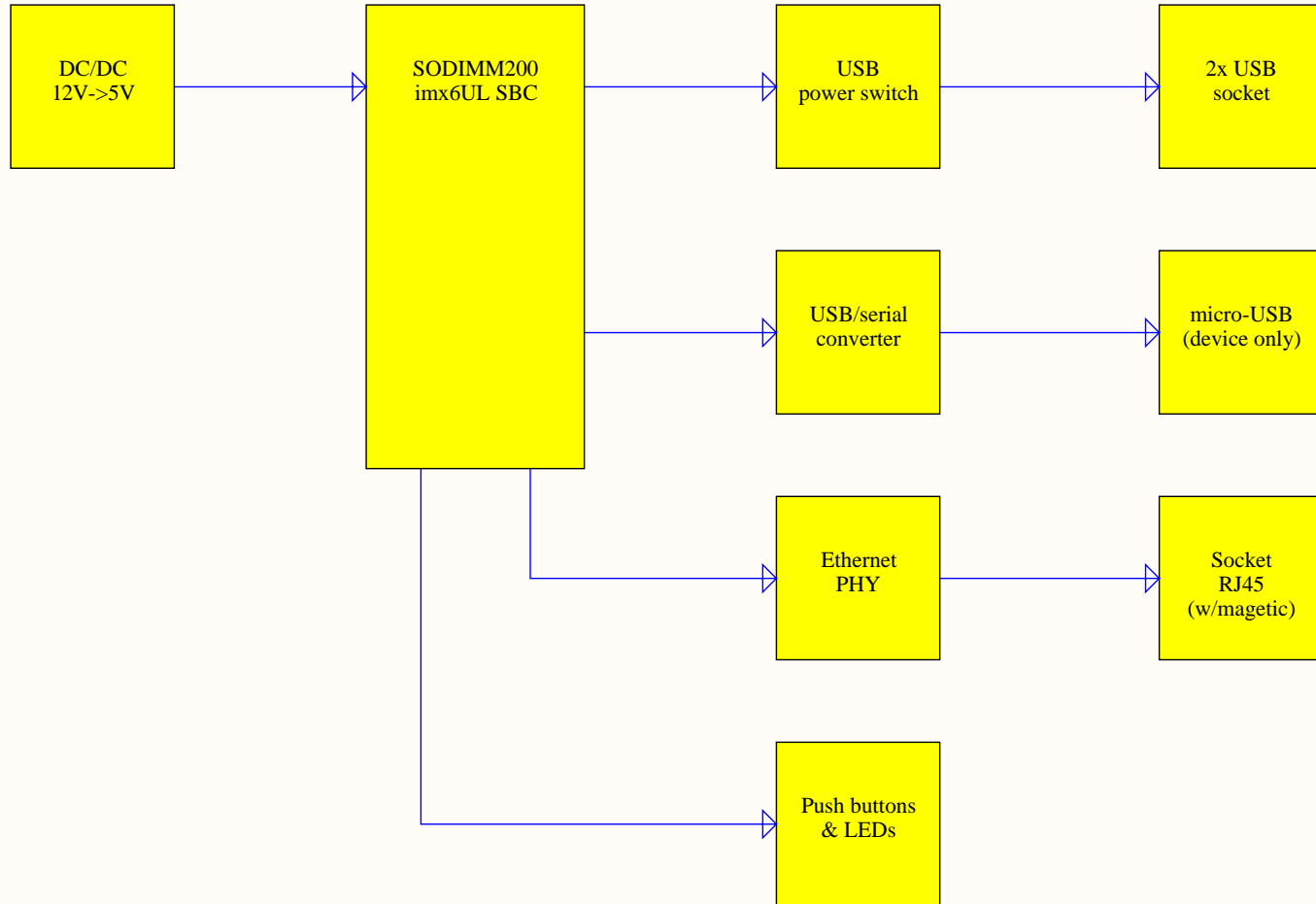
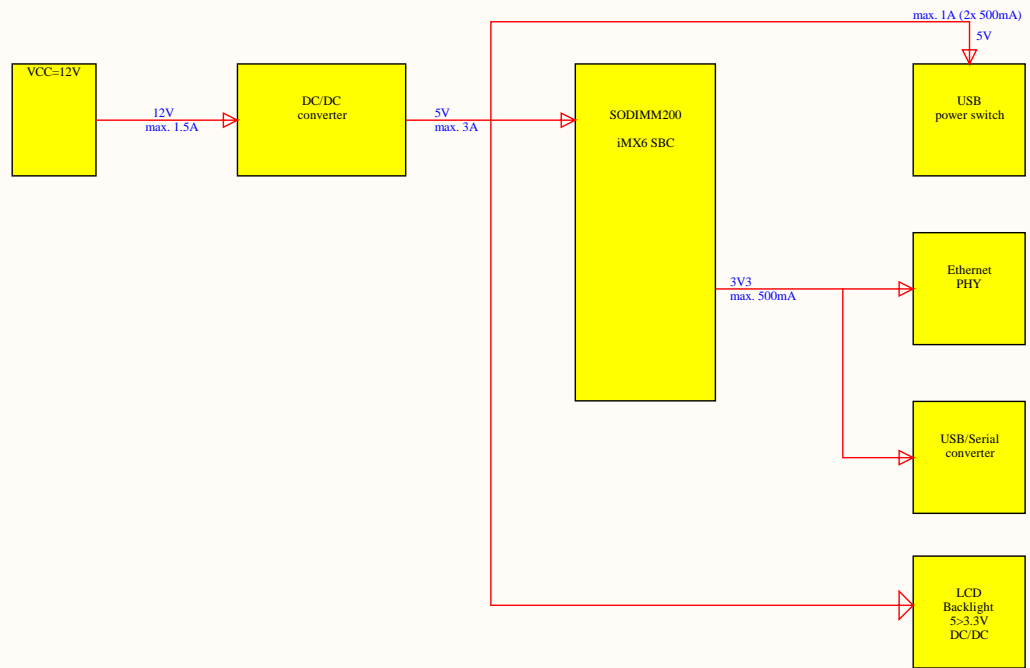


Block diagram

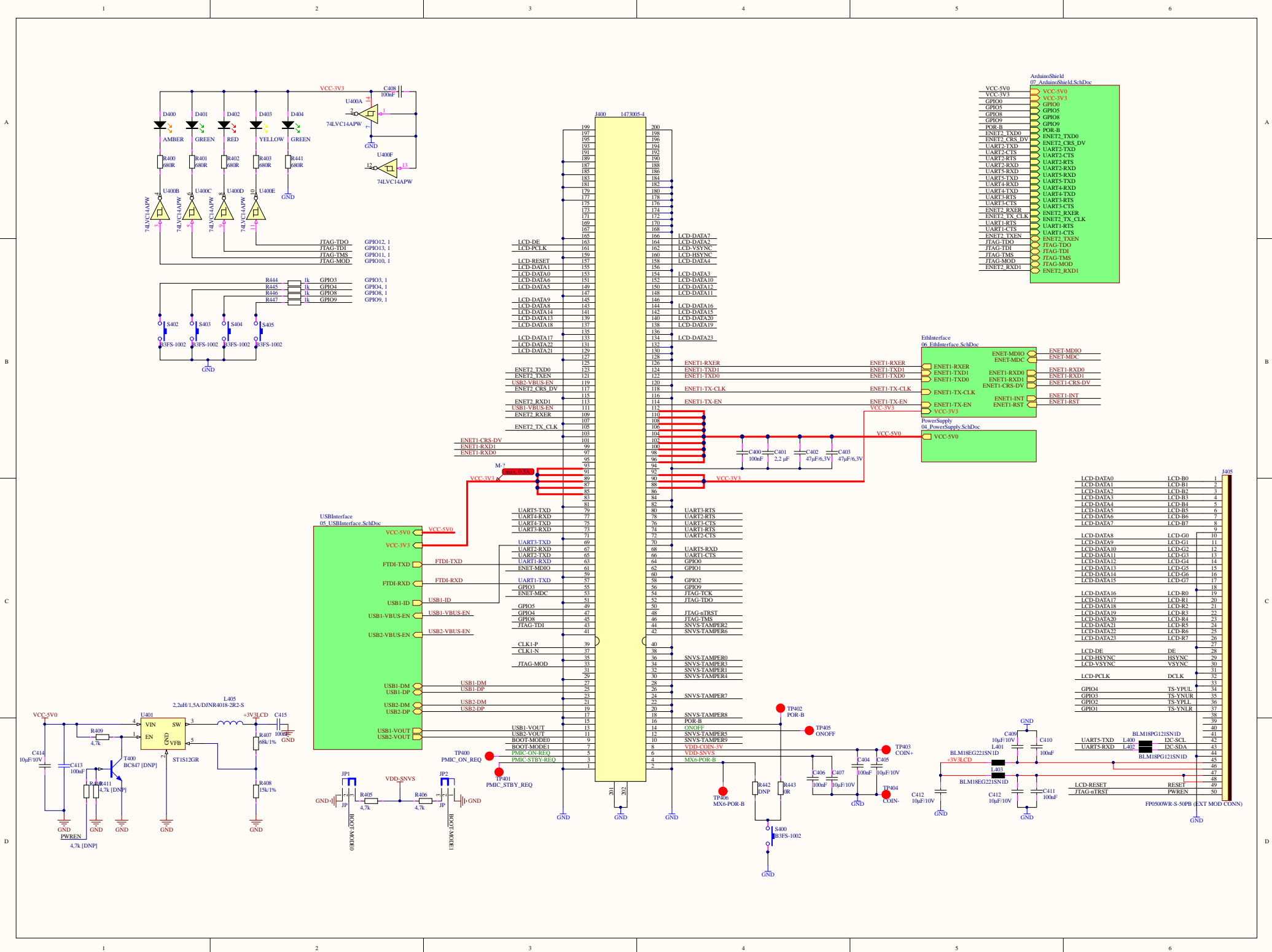


Title		
Size A3	Number	Revision
Date: 06.02.2020	Sheet of	
File: D:\Projekt\...01_BlockDiagram.SchDoc	Drawn By:	

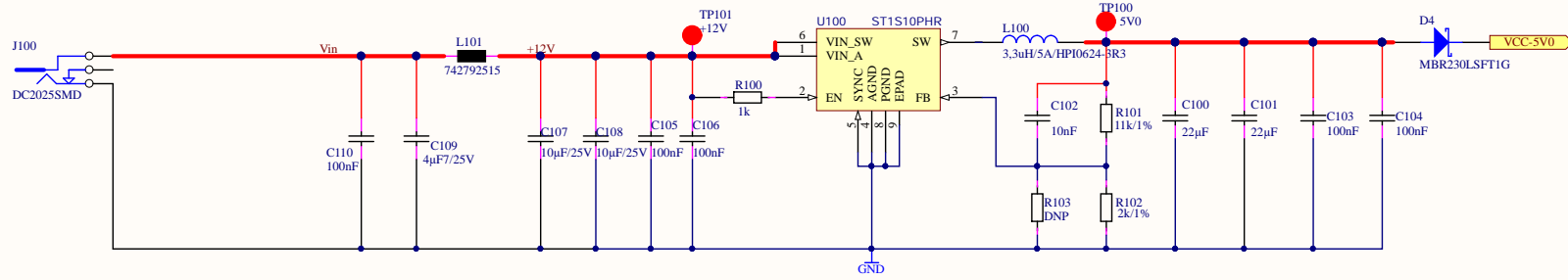
Power tree



Title		
Size A3	Number	Revision
Date: 06.02.2020	Sheet of	Drawn By:
File: D:\Projekt\...02_PowerTree.SchDoc		

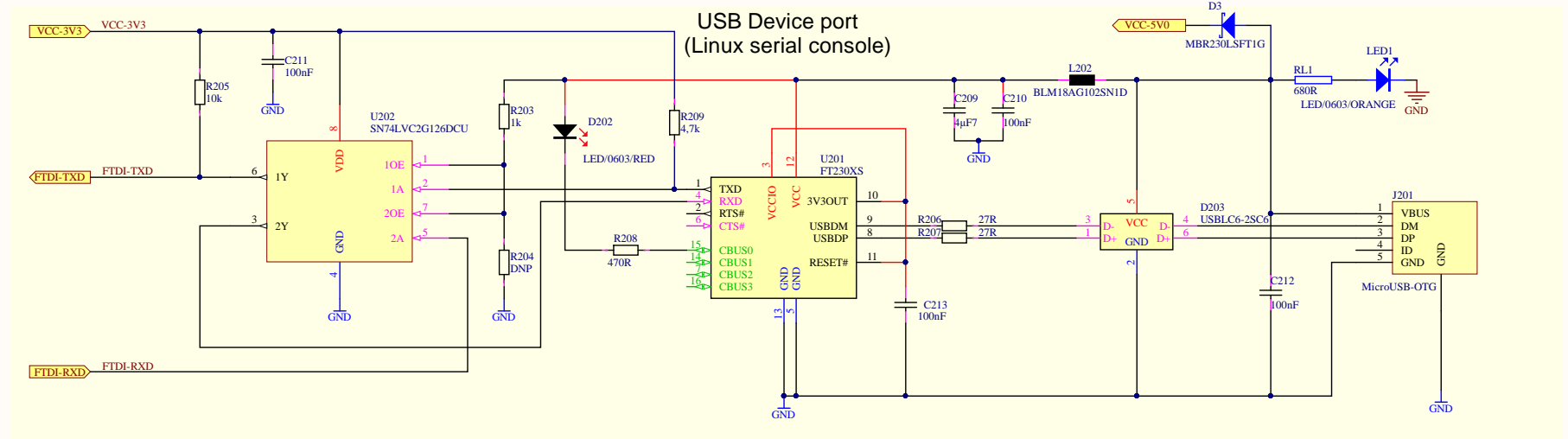
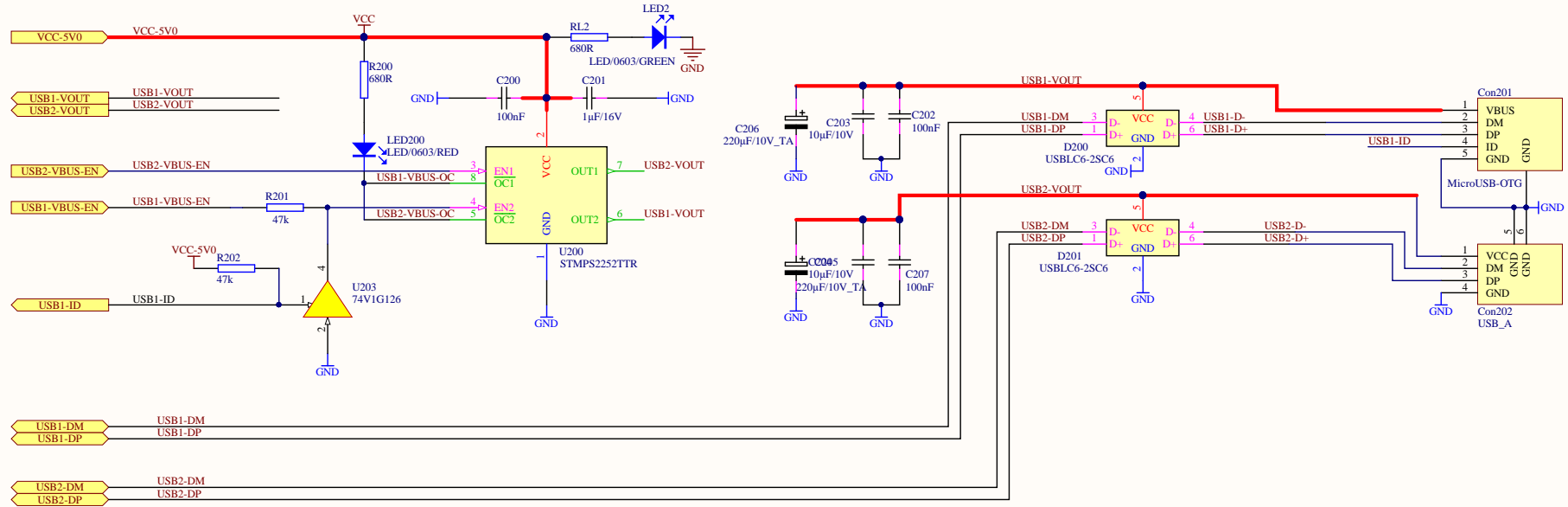


Power supply - DC/DC converter



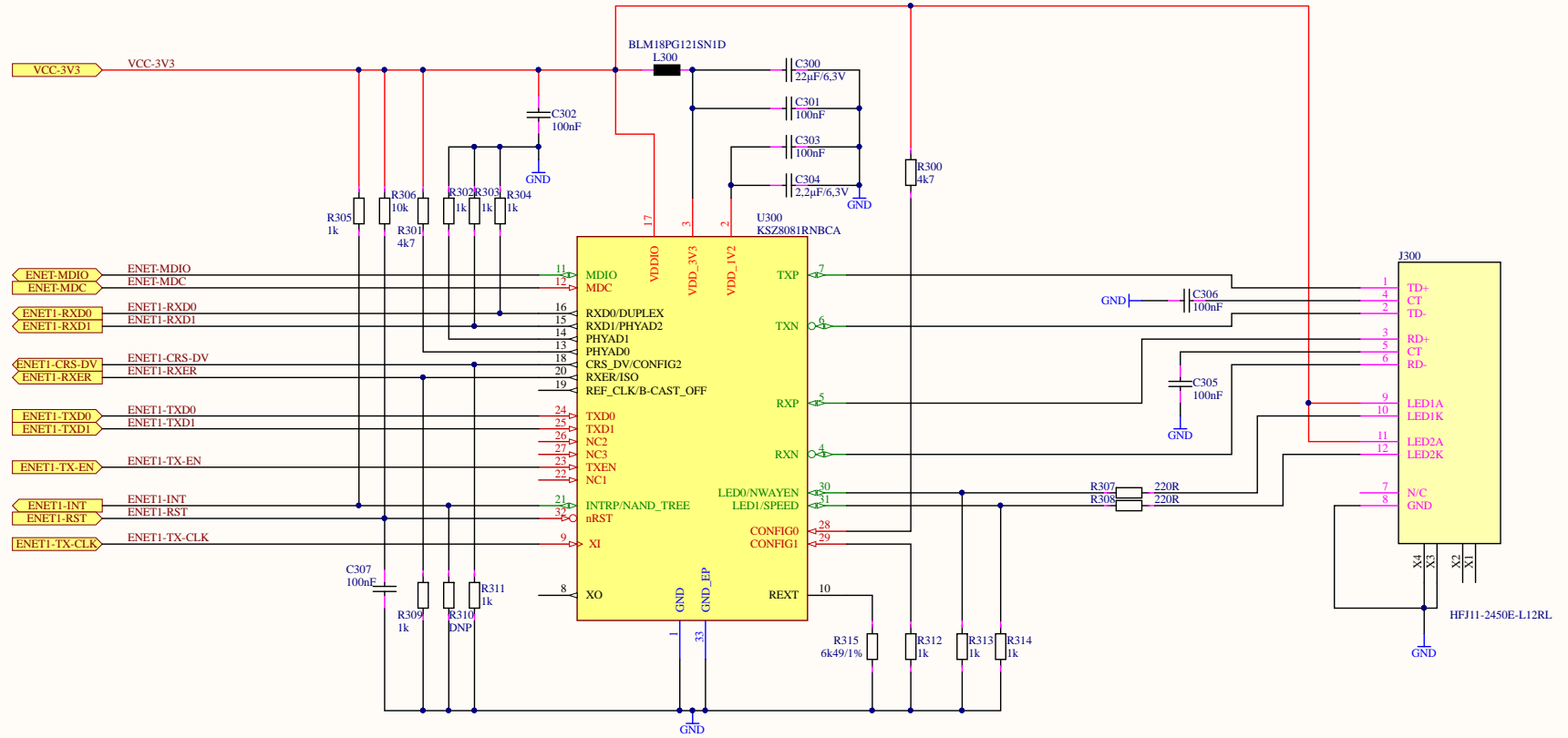
Title		
Size A3	Number	Revision
Date: 06.02.2020	Sheet of	
File: D:\Projekt\...04_PowerSupply.SchDoc	Drawn By:	

USB interfaces



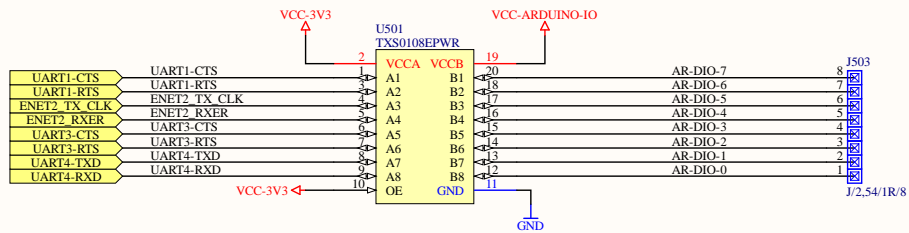
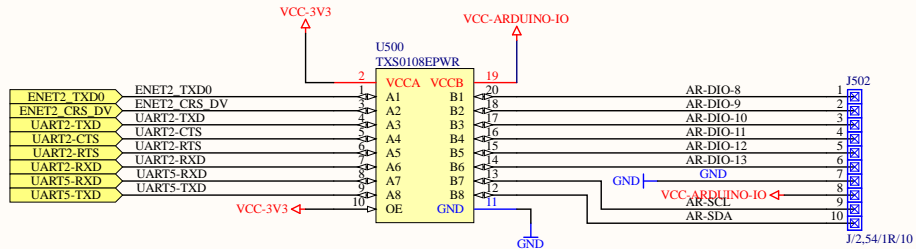
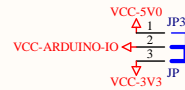
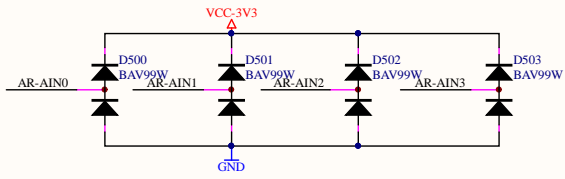
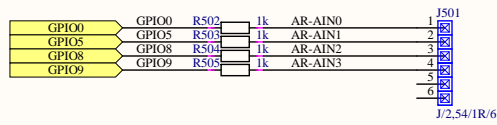
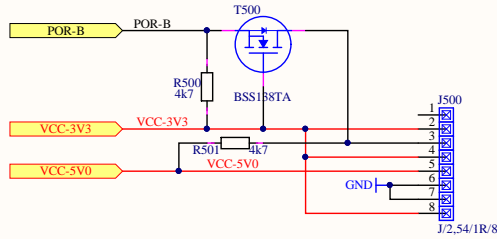
Title			
Size	Number	Revision	
A3			
Date:	06.02.2020	Sheet	of
File:	D:\Projekt\...05_USBInterface.SchDoc	Drawn By:	

Ethernet interface



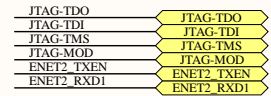
Title		
Size	Number	Revision
A3		
Date:	06.02.2020	Sheet of
File:	D:\Projekt\...06_EthInterface.SchDoc	Drawn By:

Arduino shield - compatible interface



RPI3 compatible header

Header Pin	Header Label	Header Pin	Header Label
1	VCC-3V3	29	VCC-5V0
2	UART5-RXD	30	VCC-5V0
3	UART5-TXD	31	GND
4	ENET2-TXD0	32	UART4-TXD
5	GND	33	UART4-RXD
6	ENET2-CRS-DV	34	GPIO5
7	UART1-CTS	35	GND
8	UART1-RTS	36	GPIO8
9	VCC-3V3	37	GPIO9
10	UART2-CTS	38	GND
11	UART2-RTS	39	GPIO0
12	UART2-RXD	40	UART2-TXD
13	GND	41	ENET2-TXEN
14	ENET2-TX-CLK	42	GND
15	ENET2-RXER	43	JTAG-TMS
16	UART3-CTS	44	GND
17	UART3-RTS	45	JTAG-TDO
18	ENET2-RXD1	46	JTAG-TDI
19	GND	47	JTAG-TMS
20		48	ENET2-RXD1
21		49	
22		50	



Title		
Size	Number	Revision
A3		
Date:	06.02.2020	Sheet of
File:	D:\Projekty\...07_ArduinoShield.SchDoc	Drawn By: