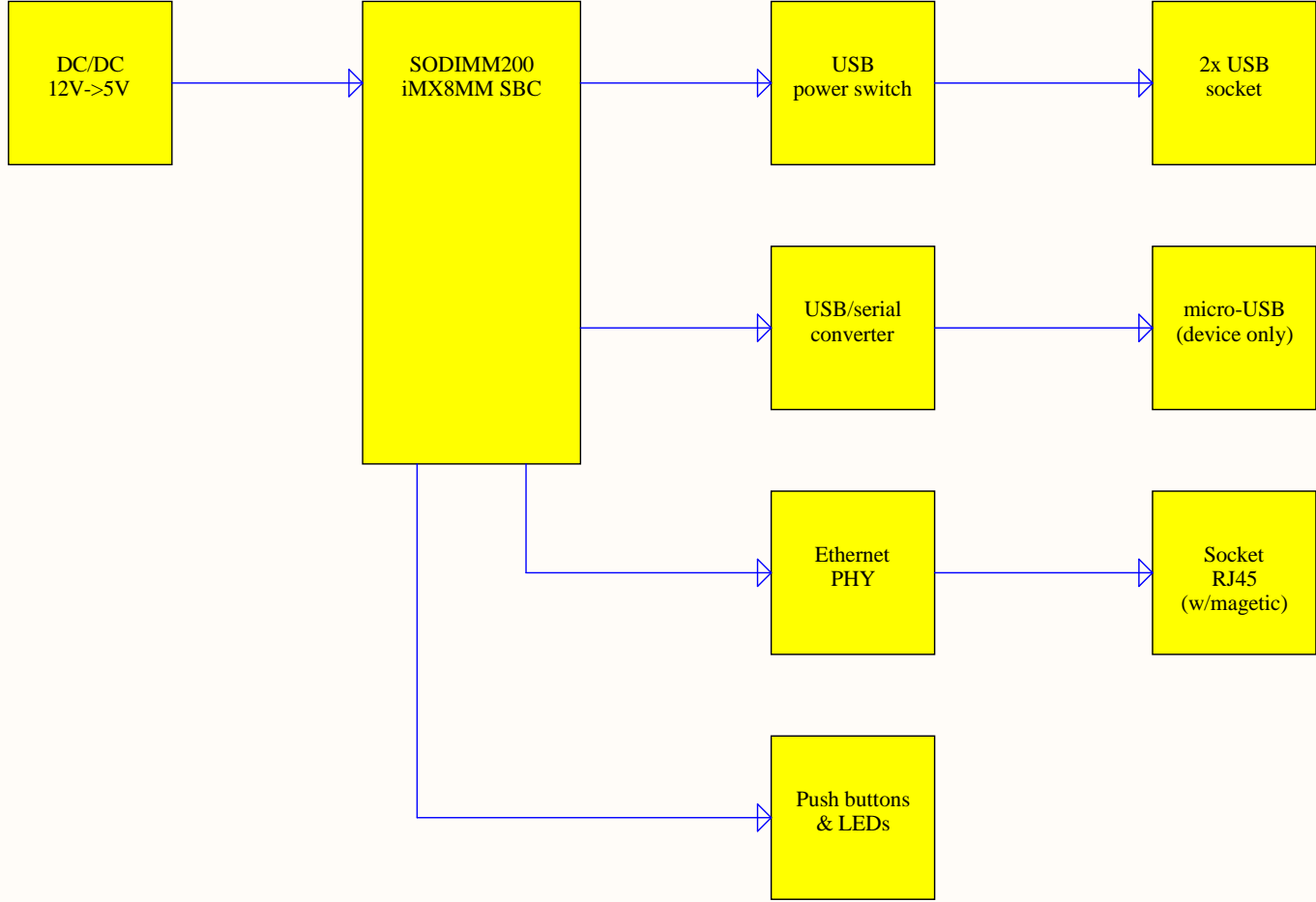


Block diagram



MF1
Fiducial Circle 30

MF2
Fiducial Circle 40

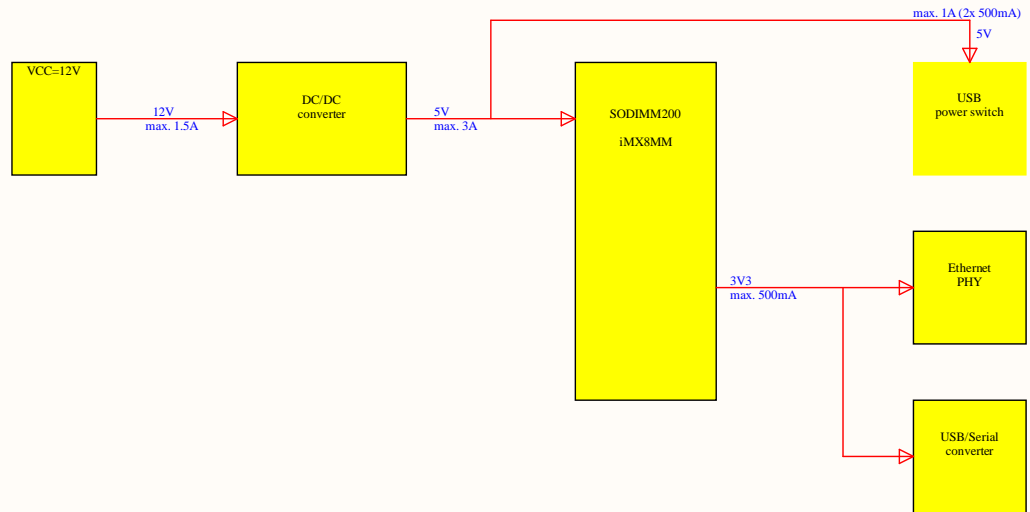
U_02_PowerTree
02_PowerTree.SchDoc

U_03_SODIMMSocket
03_SODIMMSocket.SchDoc

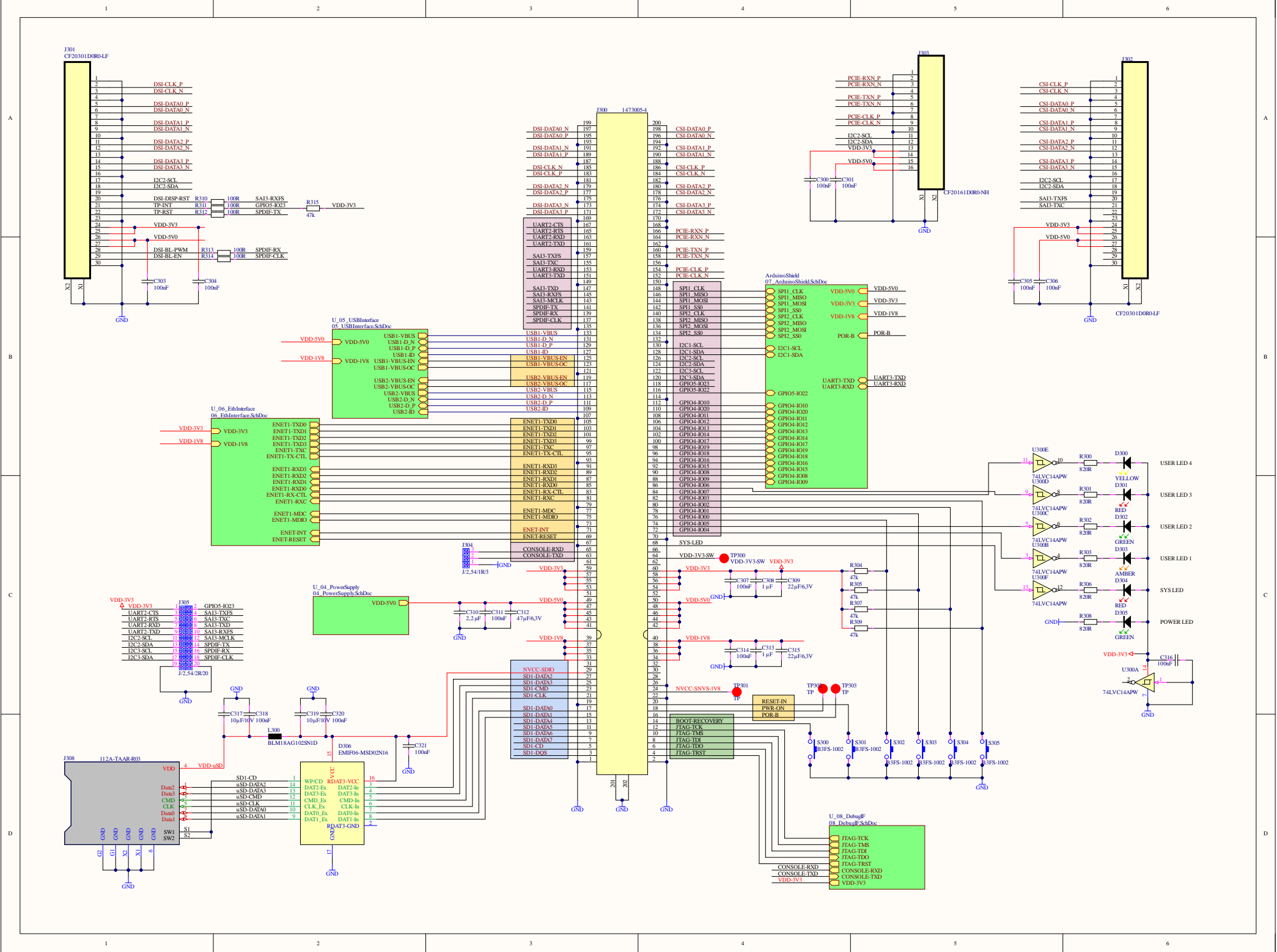
Note:
Type of U501 was modified 74AHC1G125GV > 74AHC1G126GV

Title		
Size A3	Number	Revision
Date: 1.28.2021	Sheet of	
File: D:\Projekty\...01_BlockDiagram.SchDoc	Drawn By:	

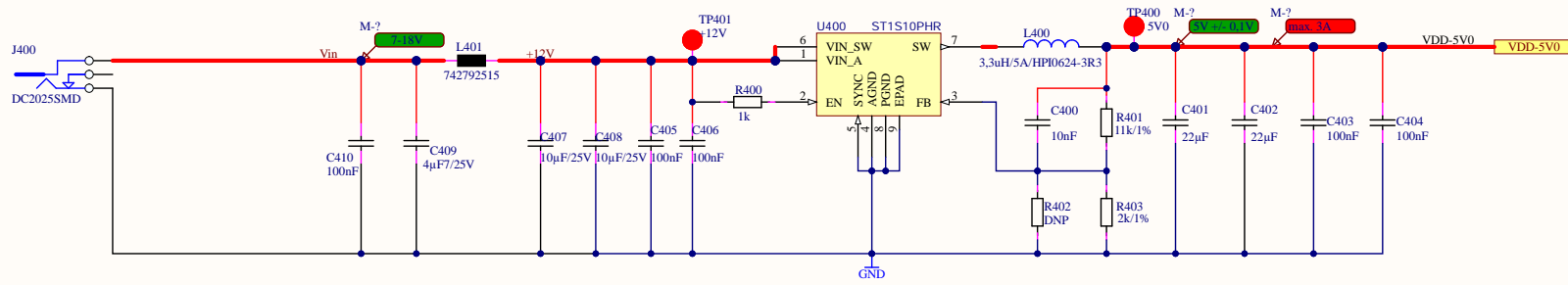
Power tree



Title		
Size	Number	Revision
A3		
Date:	1.28.2021	Sheet of
File:	D:\Projekty\...02_PowerTree.SchDoc	Drawn By:

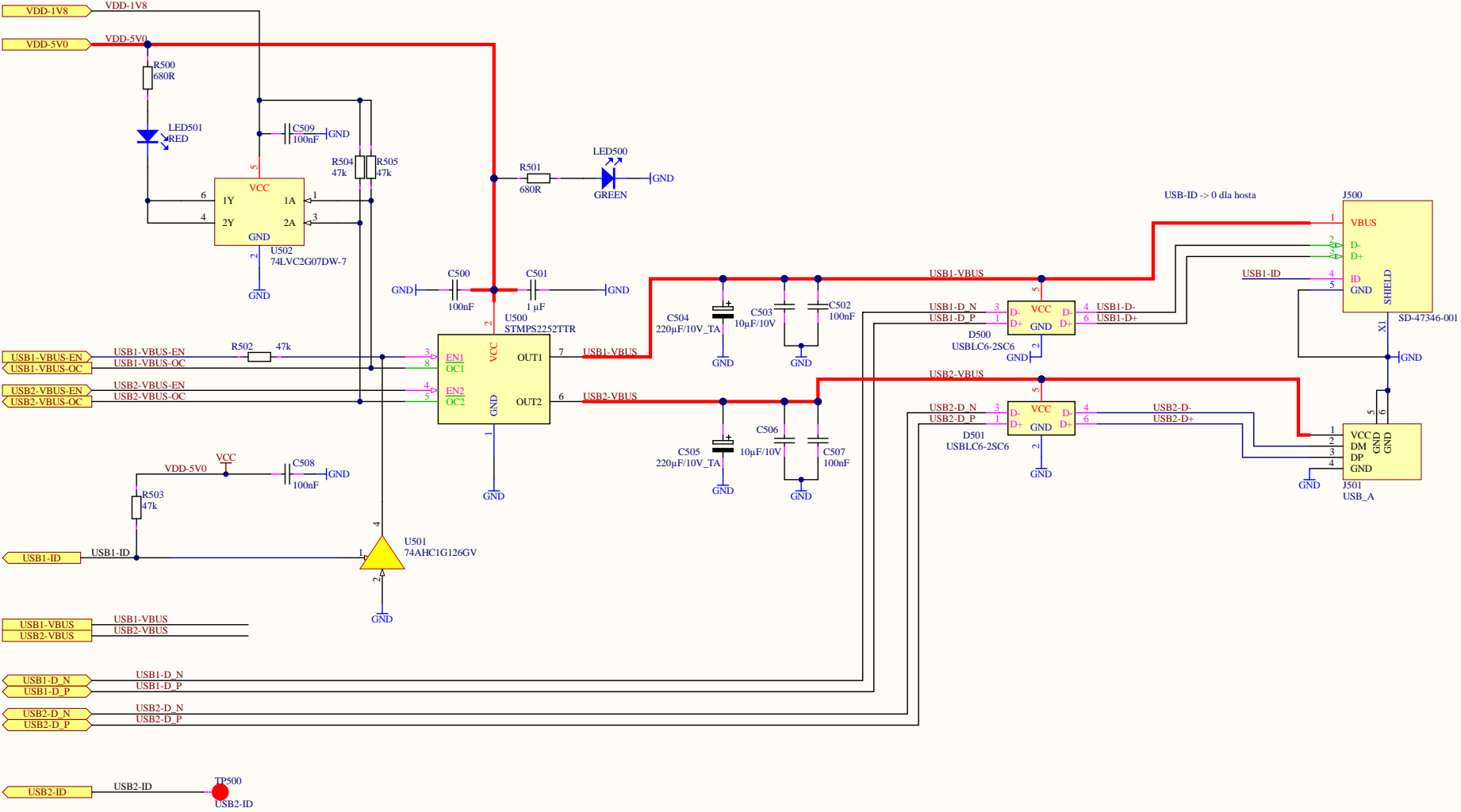


Power supply - DC/DC converter



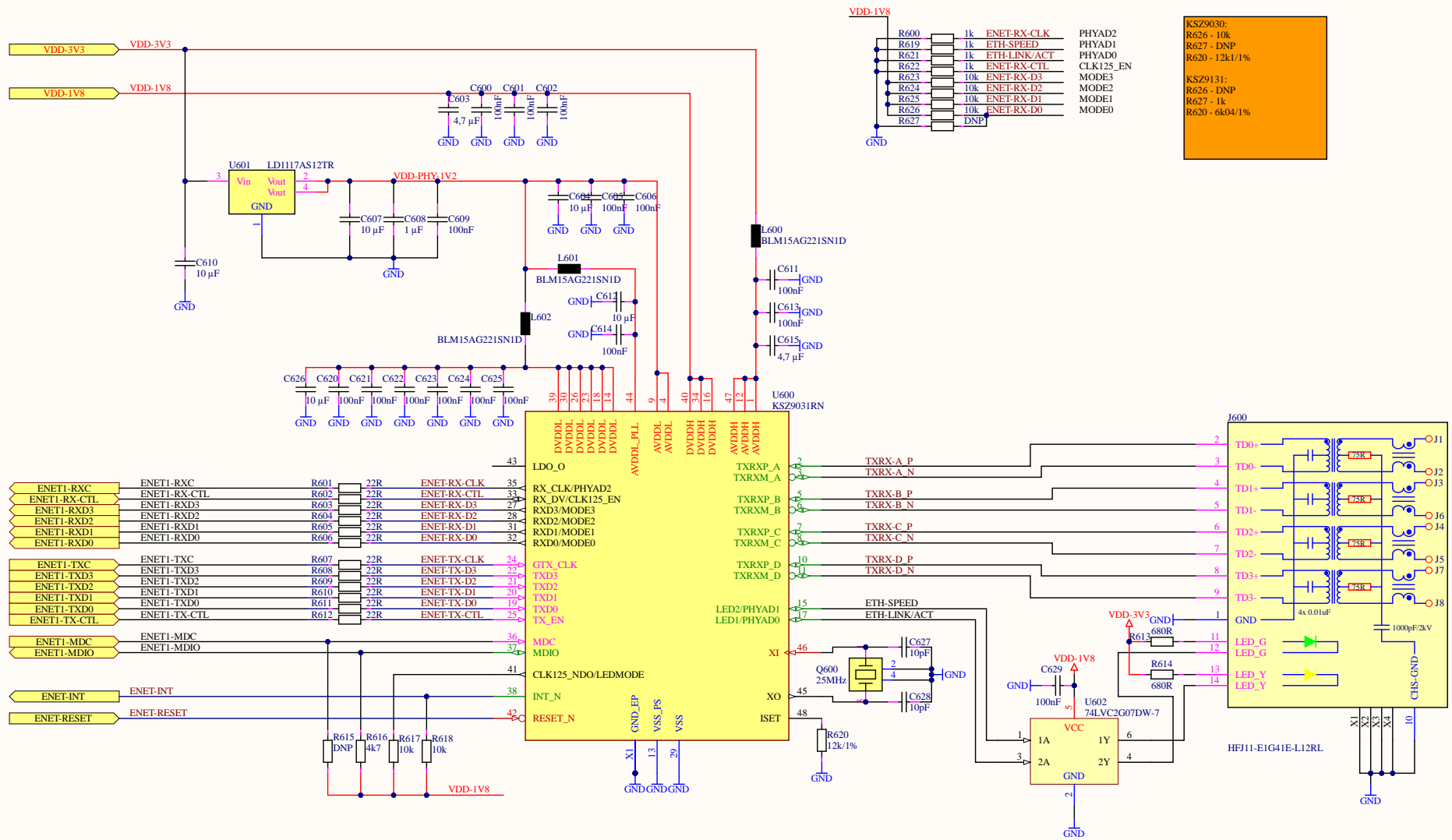
Title		
Size A3	Number	Revision
Date: 1.28.2021	Sheet of	
File: D:\Projekt\...04_PowerSupply.SchDoc	Drawn By:	

USB interfaces



Title		
Size	Number	Revision
A3		
Date:	1.28.2021	Sheet of
File:	D:\Projekt\...05_USBInterface.SchDoc	Drawn By:

Gigabit Ethernet

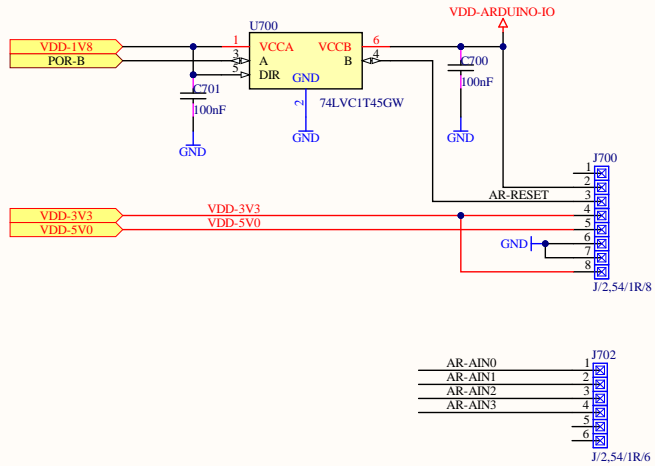


KSZ9030:
R626 - 10k
R627 - DNP
R620 - 12k1/1%

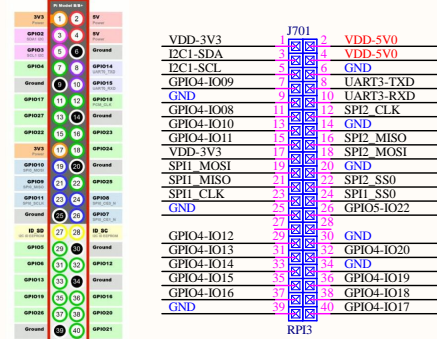
KSZ9131:
R626 - DNP
R627 - 1k
R620 - 6k04/1%

Title		
Size	Number	Revision
A3		
Date:	1.28.2021	Sheet of
File:	D:\Projekty\...06_EthInterface.SchDoc	Drawn By:

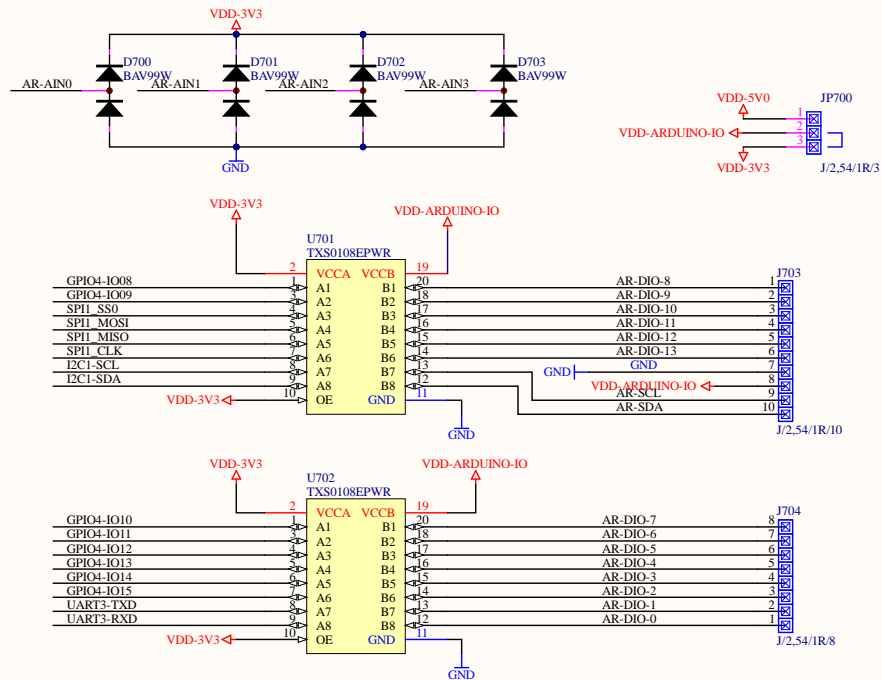
Arduino shield - compatible interface



RPI3 compatible header



UART3-TXD	UART3-TXD
UART3-RXD	UART3-RXD
SPI2_CLK	SPI2_CLK
SPI2_MISO	SPI2_MISO
SPI2_MOSI	SPI2_MOSI
SPI2_SS0	SPI2_SS0
SPI1_SS0	SPI1_SS0
SPI1_SS0	GPIO5-IO22
GPIO4-IO20	GPIO4-IO20
GPIO4-IO19	GPIO4-IO19
GPIO4-IO18	GPIO4-IO18
GPIO4-IO17	GPIO4-IO17
GPIO4-IO12	GPIO4-IO12
GPIO4-IO13	GPIO4-IO13
GPIO4-IO14	GPIO4-IO14
GPIO4-IO15	GPIO4-IO15
GPIO4-IO16	GPIO4-IO16
SPI1_MOSI	SPI1_MOSI
SPI1_MISO	SPI1_MISO
SPI1_CLK	SPI1_CLK
SPI1_SS0	GPIO4-IO09
GPIO4-IO09	GPIO4-IO10
GPIO4-IO10	GPIO4-IO11
GPIO4-IO11	I2C1-SDA
I2C1-SDA	I2C1-SCL
I2C1-SCL	I2C1-SCL
GPIO4-IO08	GPIO4-IO08



Title		
Size	Number	Revision
A3		
Date:	1.28.2021	Sheet of
File:	D:\Projekty\...07_ArduinoShield.SchDoc	Drawn By: