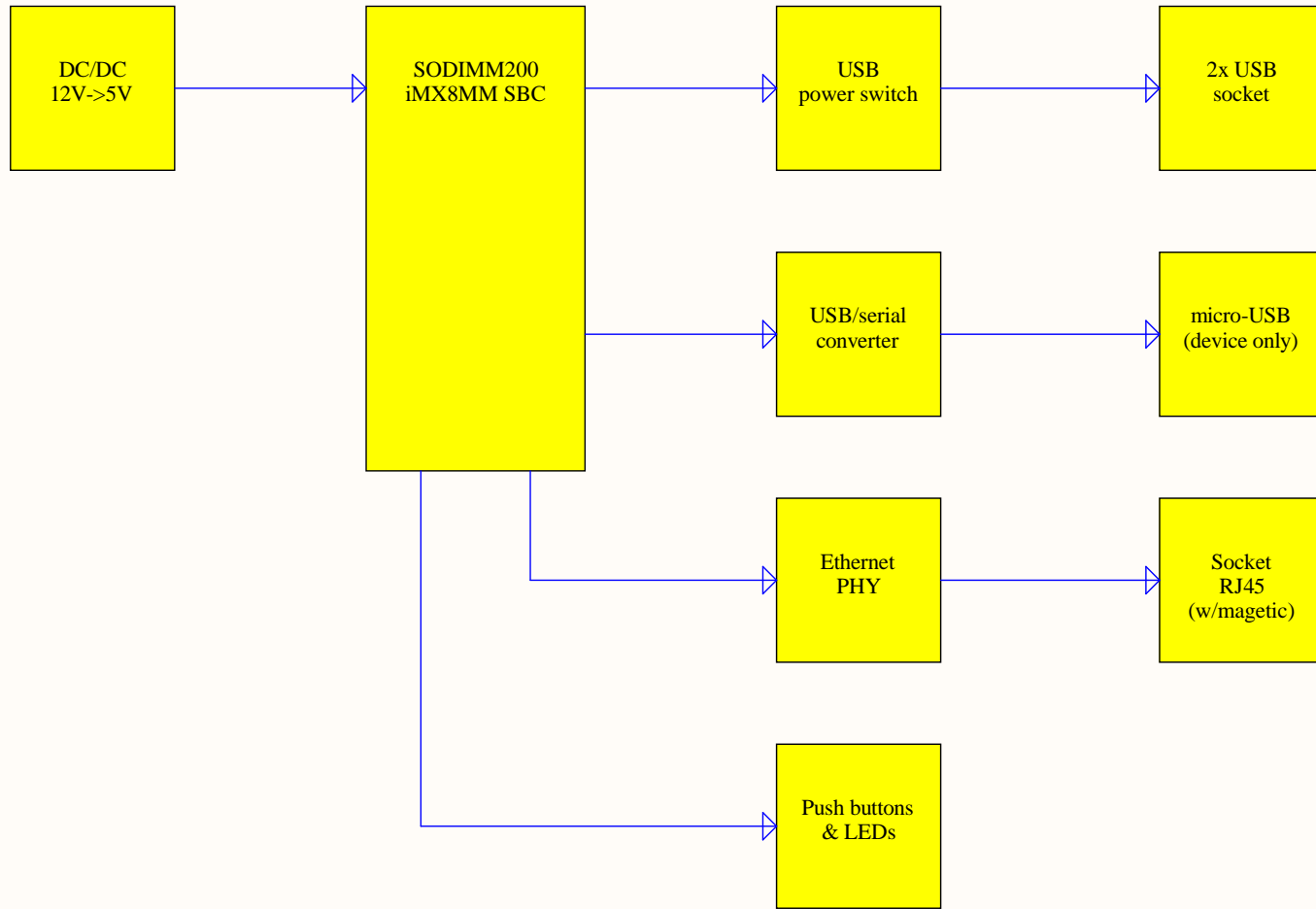


# Block diagram



MF1  
Fiducial Circle 30

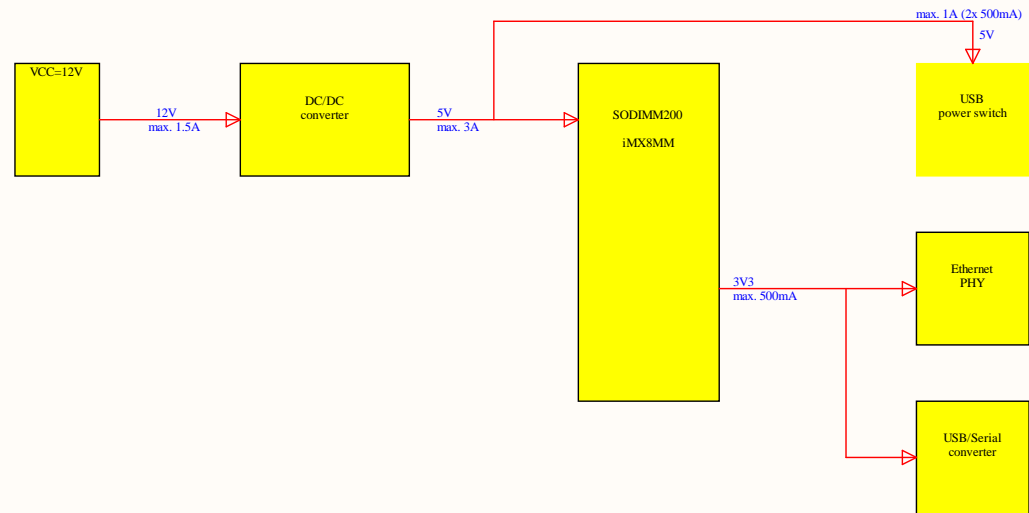
MF2  
Fiducial Circle 40

U\_02\_PowerTree  
02\_PowerTree.SchDoc

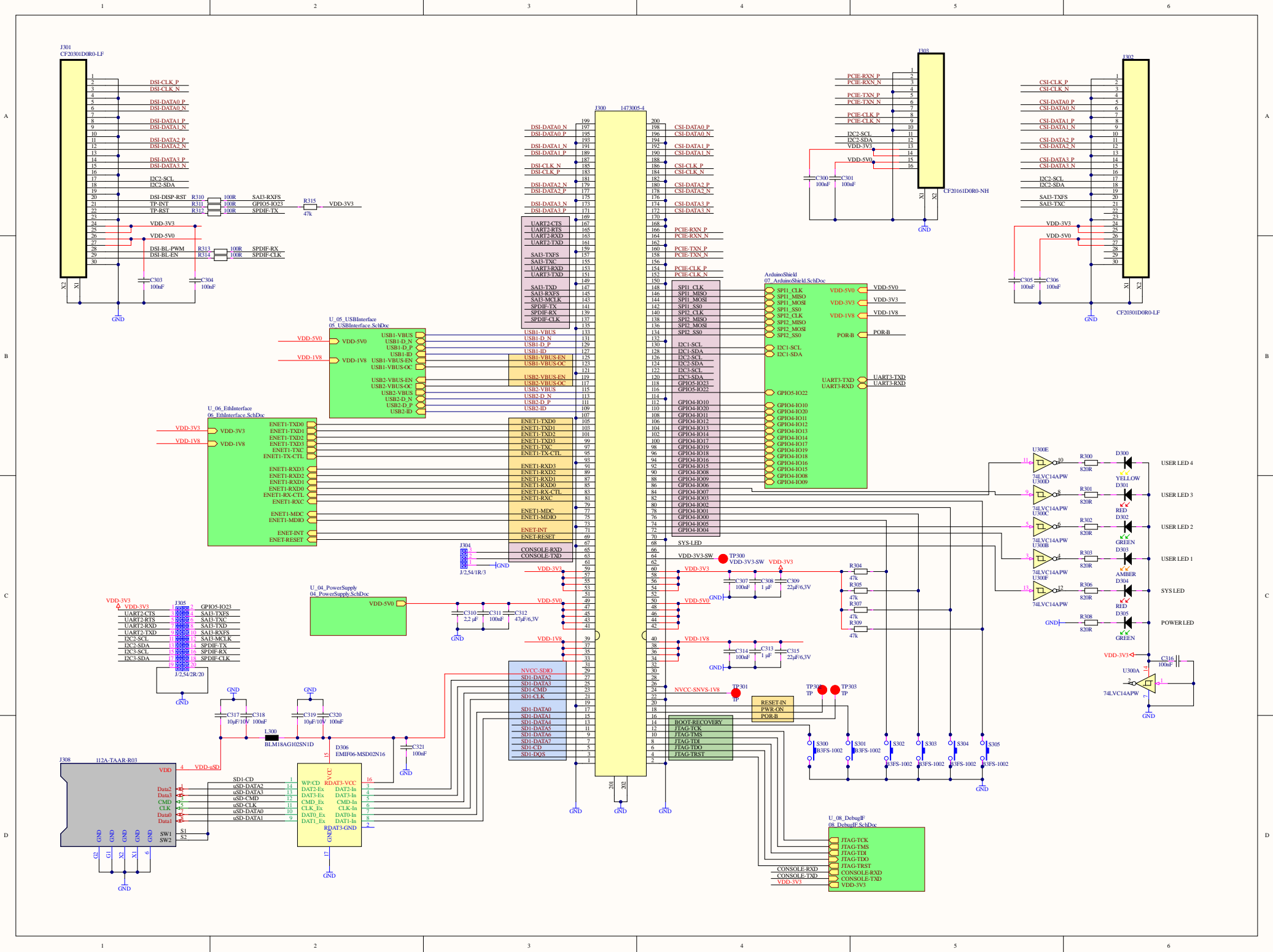
U\_03\_SODIMMSocket  
03\_SODIMMSocket.SchDoc

| Title |                                       |           |
|-------|---------------------------------------|-----------|
| Size  | Number                                | Revision  |
| A3    |                                       |           |
| Date: | 7.01.2020                             | Sheet of  |
| File: | D:\Projekty\...01_BlockDiagram.SchDoc | Drawn By: |

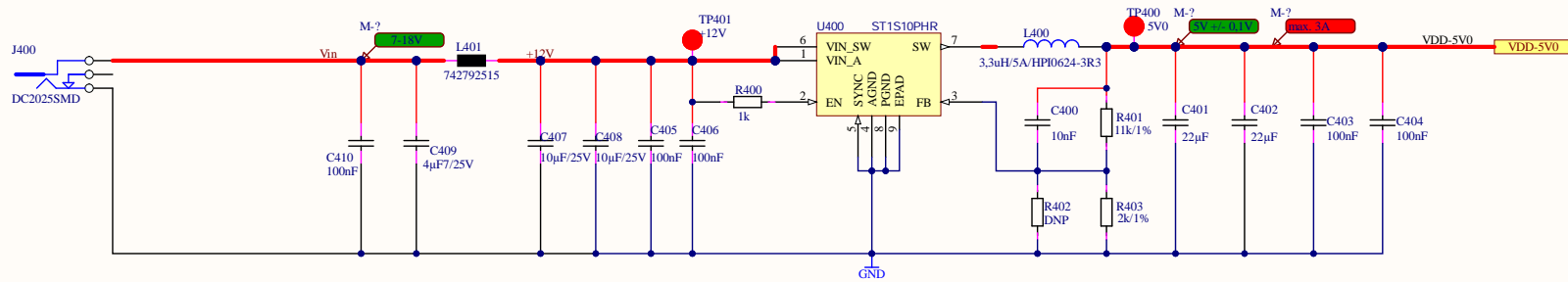
# Power tree



| Title |                                    |           |
|-------|------------------------------------|-----------|
| Size  | Number                             | Revision  |
| A3    |                                    |           |
| Date: | 7.01.2020                          | Sheet of  |
| File: | D:\Projekty\...02_PowerTree.SchDoc | Drawn By: |

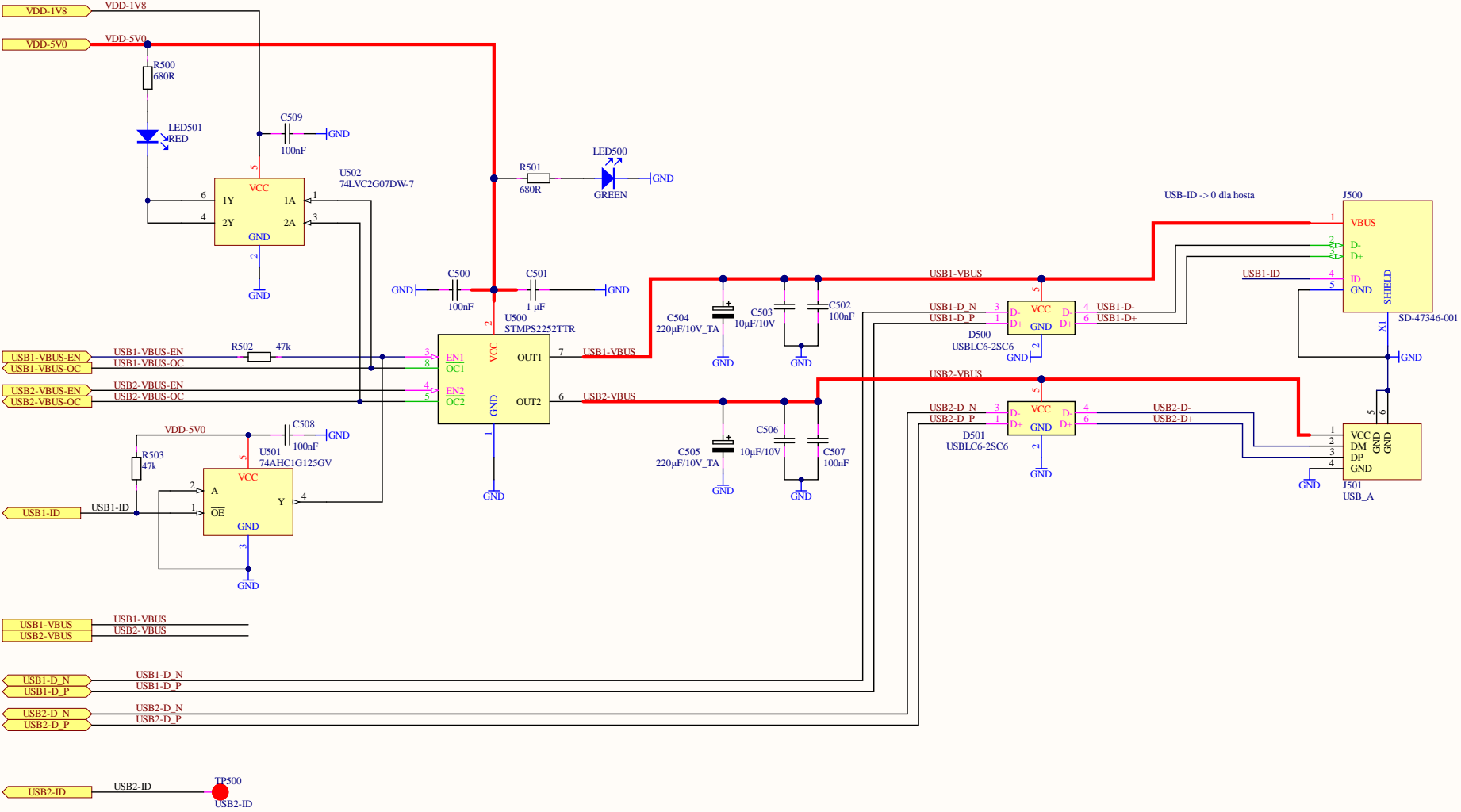


# Power supply - DC/DC converter



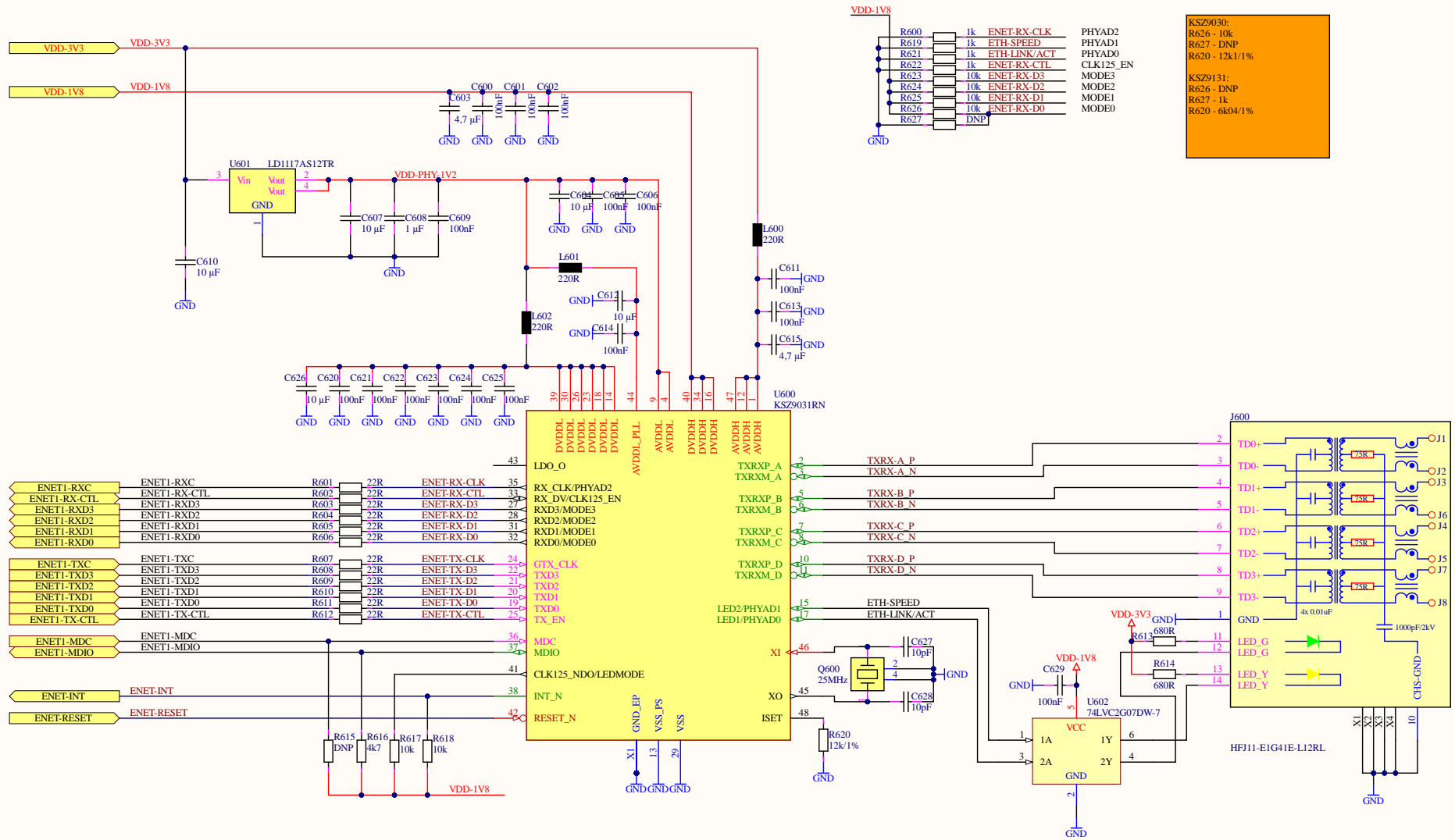
| Title |                                      |           |
|-------|--------------------------------------|-----------|
| Size  | Number                               | Revision  |
| A3    |                                      |           |
| Date: | 7.01.2020                            | Sheet of  |
| File: | D:\Projekty\...04_PowerSupply\SchDoc | Drawn By: |

# USB interfaces



| Title |                                       |           |
|-------|---------------------------------------|-----------|
| Size  | Number                                | Revision  |
| A3    |                                       |           |
| Date: | 7.01.2020                             | Sheet of  |
| File: | D:\Projekty\...05_USBInterface.SchDoc | Drawn By: |

# Gigabit Ethernet

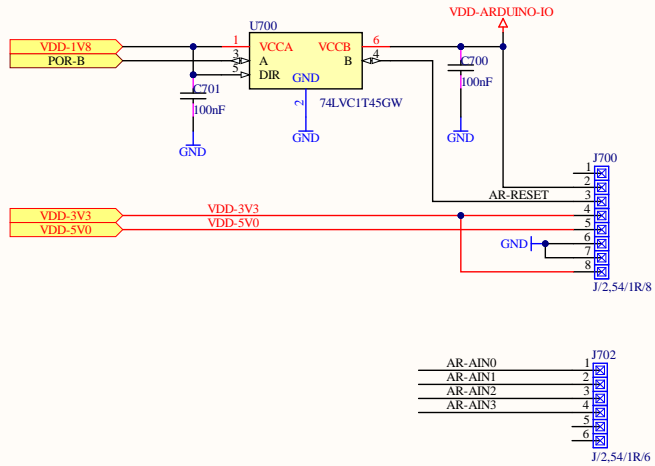


KSZ9030:  
 PHYAD2  
 PHYAD1  
 PHYAD0  
 CLK125\_EN  
 MODE3  
 MODE2  
 MODE1  
 MODE0

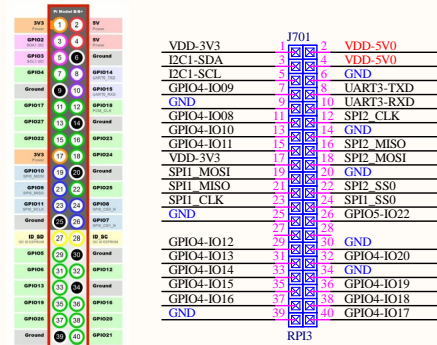
KSZ9131:  
 R626 - DNP  
 R627 - 1k  
 R620 - 6k04/1%

| Title |                                    |           |
|-------|------------------------------------|-----------|
| Size  | Number                             | Revision  |
| A3    |                                    |           |
| Date: | 7.01.2020                          | Sheet of  |
| File: | D:\Projekty\06_EthInterface.SchDoc | Drawn By: |

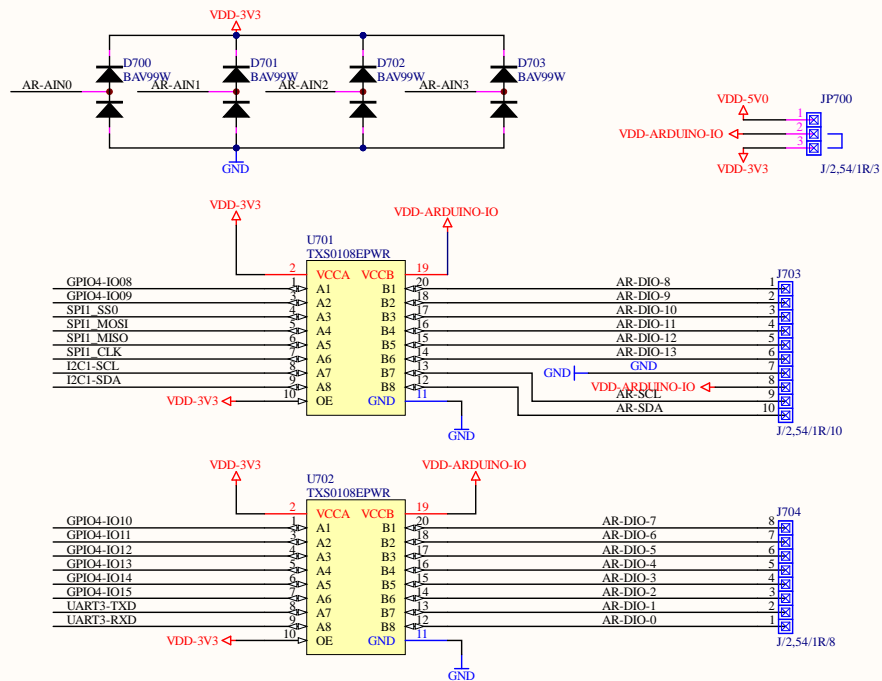
# Arduino shield - compatible interface



## RPI3 compatible header



|            |            |
|------------|------------|
| UART3-TXD  | UART3-TXD  |
| UART3-RXD  | UART3-RXD  |
| SPI2_CLK   | SPI2_CLK   |
| SPI2_MISO  | SPI2_MISO  |
| SPI2_MOSI  | SPI2_MOSI  |
| SPI2_SS0   | SPI2_SS0   |
| SPI1_SS0   | SPI1_SS0   |
| GPIO5-IO22 | GPIO5-IO22 |
| GPIO4-IO20 | GPIO4-IO20 |
| GPIO4-IO19 | GPIO4-IO19 |
| GPIO4-IO18 | GPIO4-IO18 |
| GPIO4-IO17 | GPIO4-IO17 |
| GPIO4-IO12 | GPIO4-IO12 |
| GPIO4-IO13 | GPIO4-IO13 |
| GPIO4-IO14 | GPIO4-IO14 |
| GPIO4-IO15 | GPIO4-IO15 |
| GPIO4-IO16 | GPIO4-IO16 |
| SPI1_MOSI  | SPI1_MOSI  |
| SPI1_MISO  | SPI1_MISO  |
| SPI1_CLK   | SPI1_CLK   |
| SPI1_SS0   | GPIO4-IO09 |
| GPIO4-IO09 | GPIO4-IO10 |
| GPIO4-IO10 | GPIO4-IO11 |
| GPIO4-IO11 | I2C1-SDA   |
| I2C1-SDA   | I2C1-SCL   |
| I2C1-SCL   | I2C1-SCL   |
| GPIO4-IO08 | GPIO4-IO08 |



|       |                                     |           |
|-------|-------------------------------------|-----------|
| Title |                                     |           |
| Size  | Number                              | Revision  |
| A3    |                                     |           |
| Date: | 7.01.2020                           | Sheet of  |
| File: | D:\Projekty\07_ArduinoShield.SchDoc | Drawn By: |