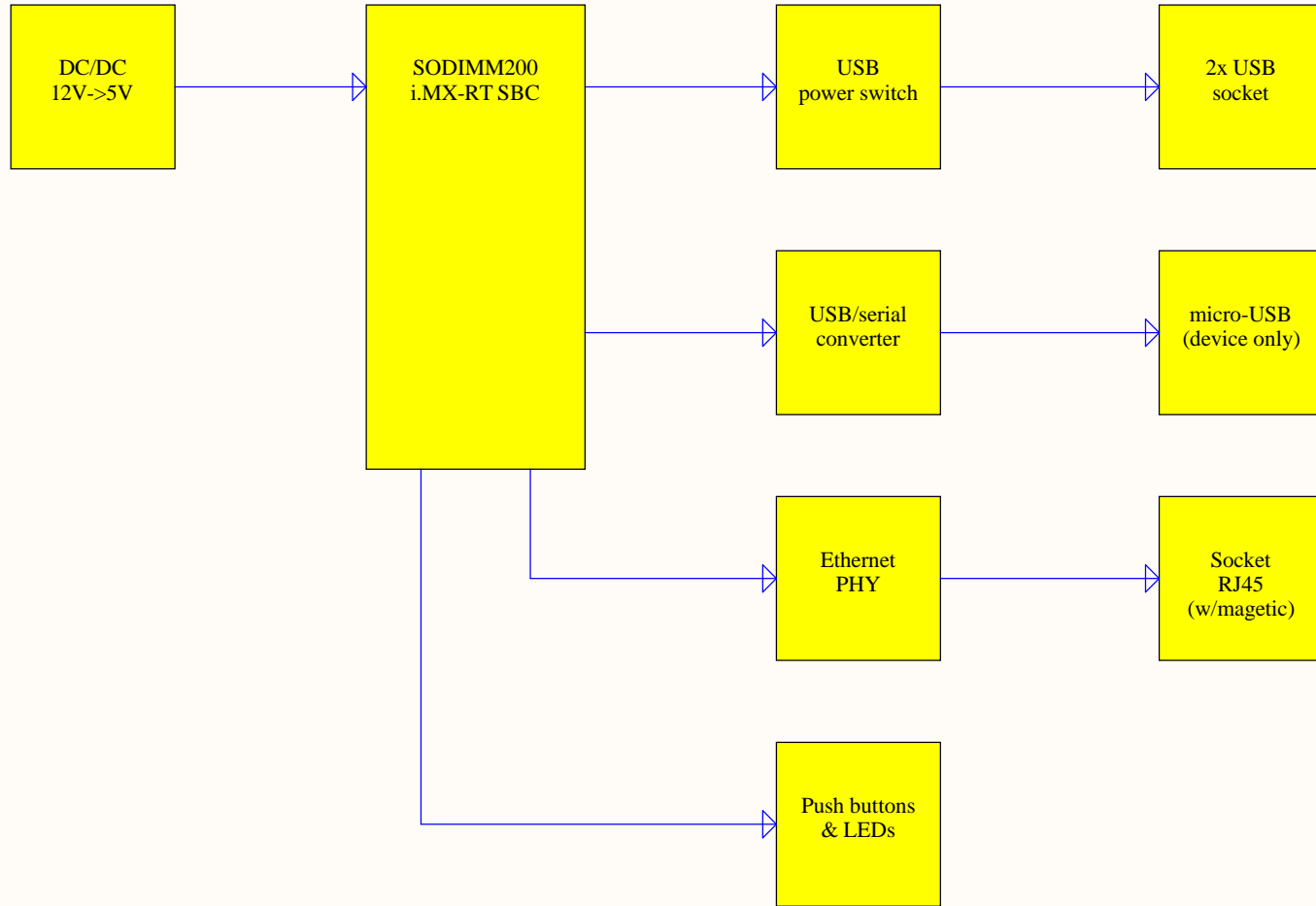
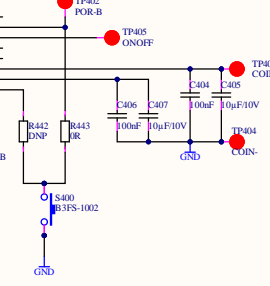
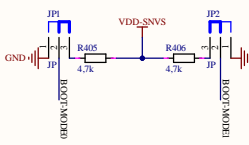
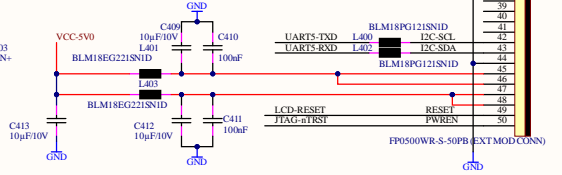
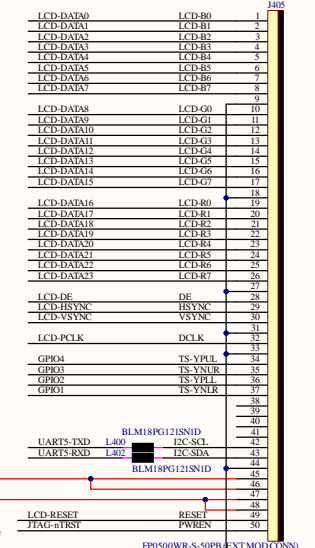
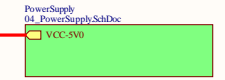
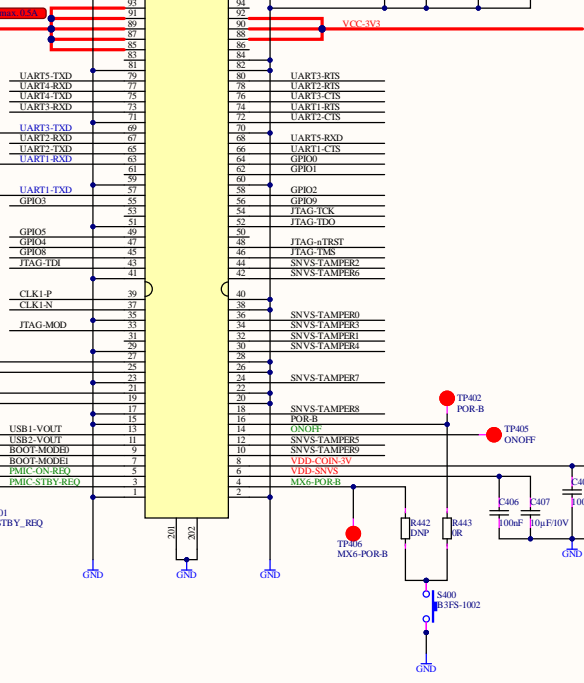
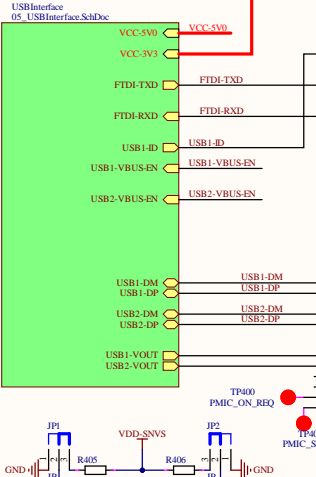
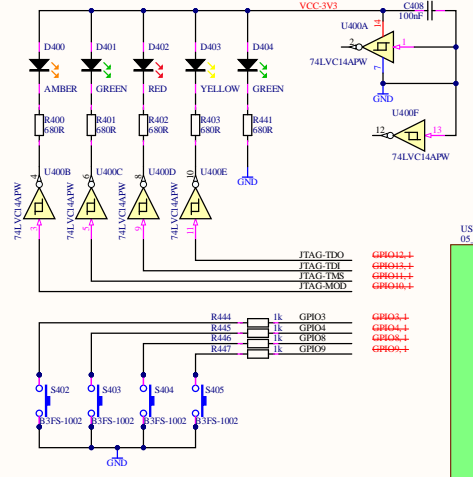
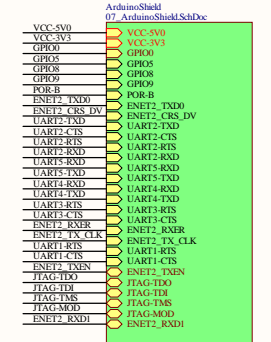
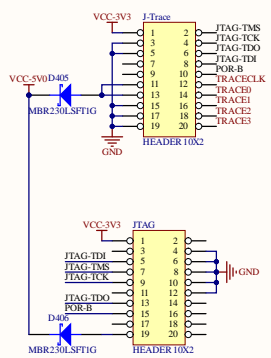
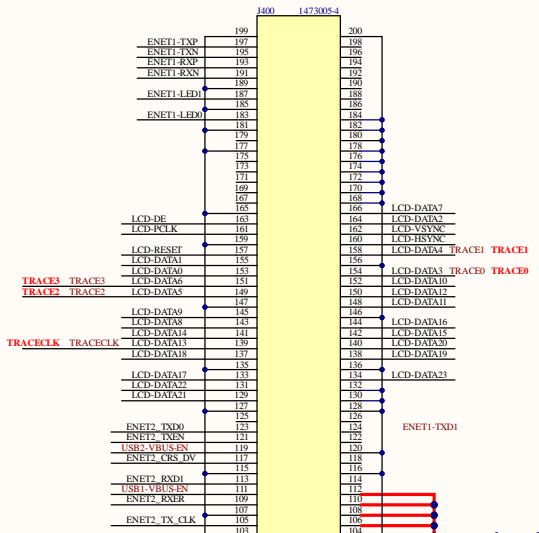
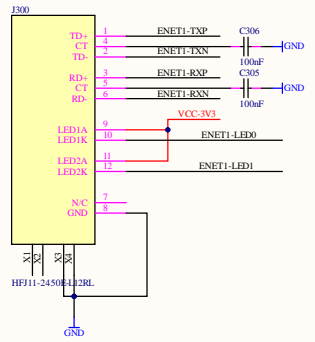


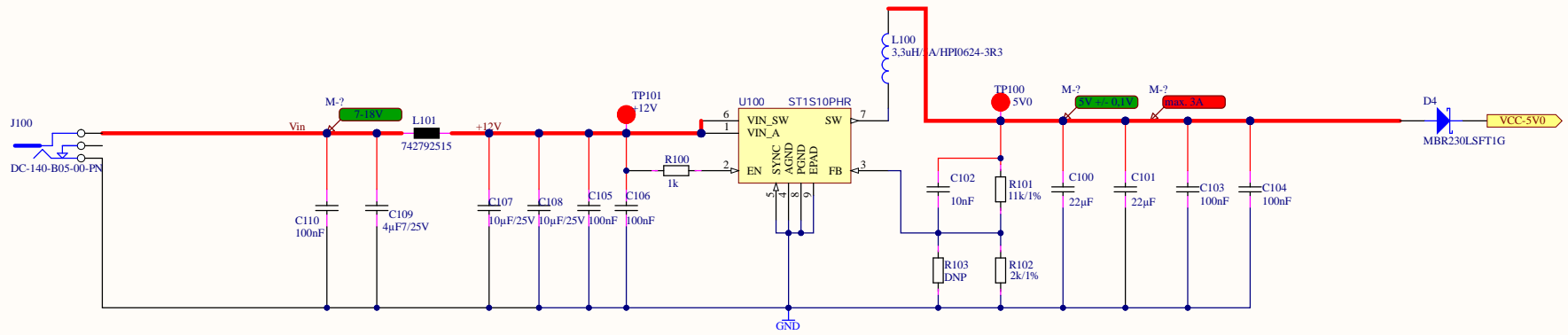
Block diagram



Title		
Size A3	Number	Revision
Date: 9.17.2024	Sheet of	
File: D:\Projekty\...01_BlockDiagram.SchDoc	Drawn By:	

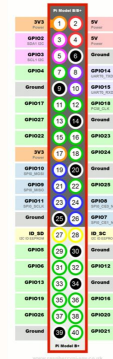
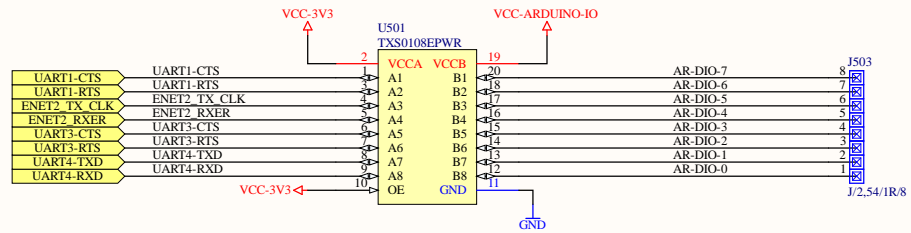
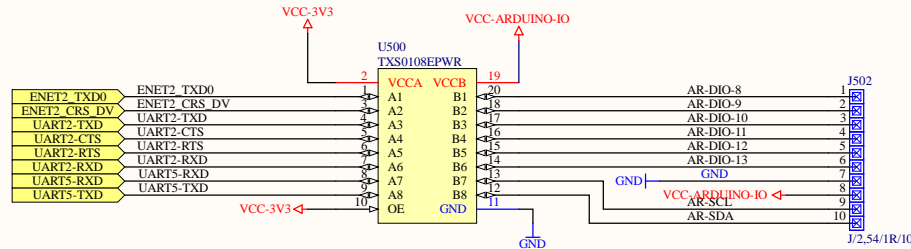
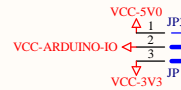
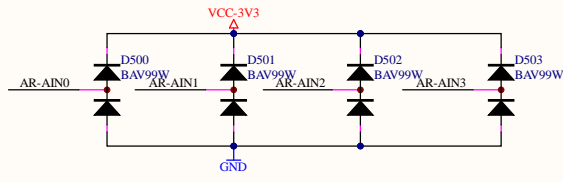
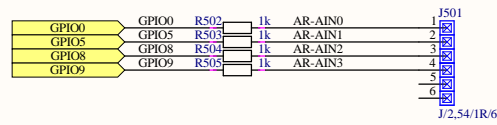
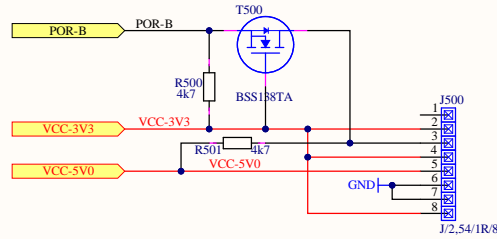


Power supply - DC/DC converter



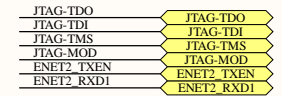
Title		
Size	Number	Revision
A3		
Date:	9.17.2024	Sheet of
File:	D:\Projekty\...04_PowerSupply.SchDoc	Drawn By:

Arduino shield - compatible interface



RPI3 compatible header

Header Pin	Function	Header Pin	Function
1	VCC-3V3	21	VCC-5V0
2	UART5-RXD	22	VCC-5V0
3	UART5-TXD	23	GND
4	ENET2-TXD0	24	UART4-TXD
5	GND	25	UART4-RXD
6	ENET2-CRS-DV	26	GPIO5
7	UART1-CTS	27	GND
8	UART1-RTS	28	GPIO8
9	VCC-3V3	29	GPIO9
10	UART2-CTS	30	GND
11	UART2-RTS	31	GPIO0
12	UART2-RXD	32	UART2-TXD
13	GND	33	ENET2-TXEN
14	ENET2-TX-CLK	34	GND
15	ENET2-RXER	35	JTAG-MOD
16	UART3-CTS	36	GND
17	UART3-RTS	37	JTAG-TDO
18	ENET2-RXD1	38	JTAG-TDI
19	GND	39	JTAG-TMS
20		40	



Title		
Size	Number	Revision
A3		
Date:	9.17.2024	Sheet of
File:	D:\Projekty\...07_ArduinoShield.SchDoc	Drawn By: