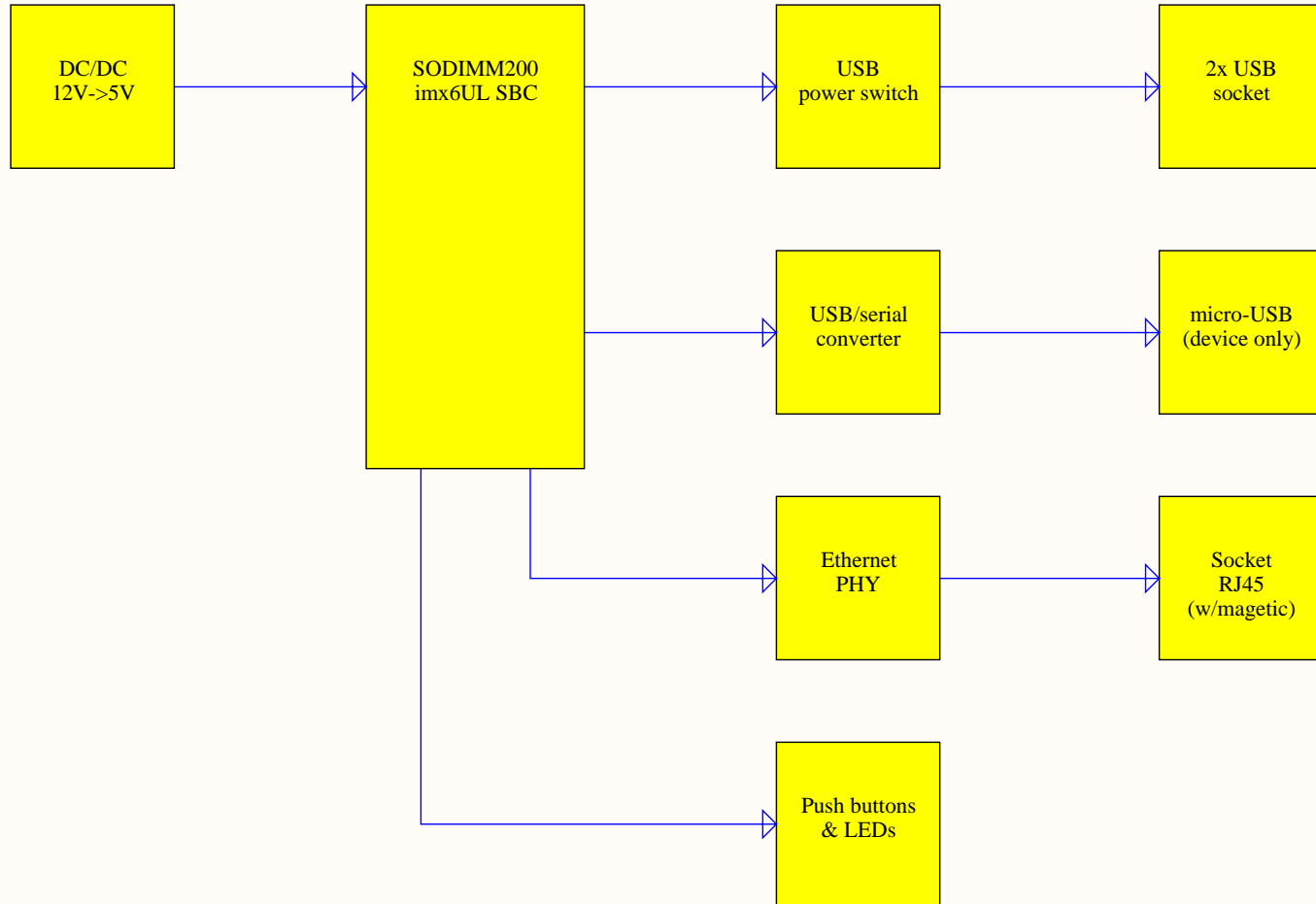


# Block diagram



Title		
Size A3	Number	Revision
Date: 06.02.2019	Sheet of	
File: D:\Projekt\...01_BlockDiagram.SchDoc	Drawn By:	

A

B

C

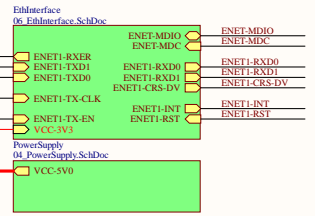
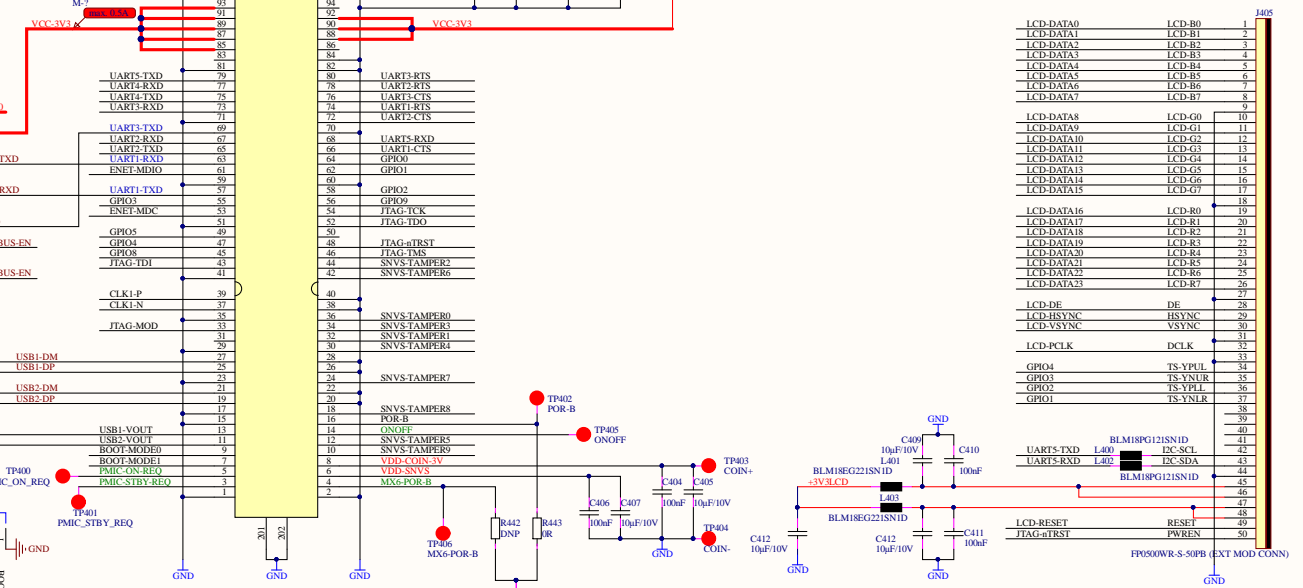
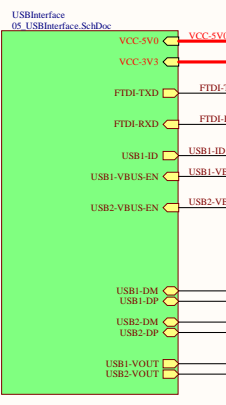
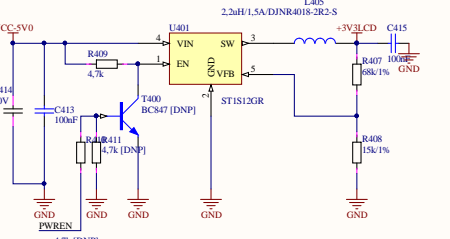
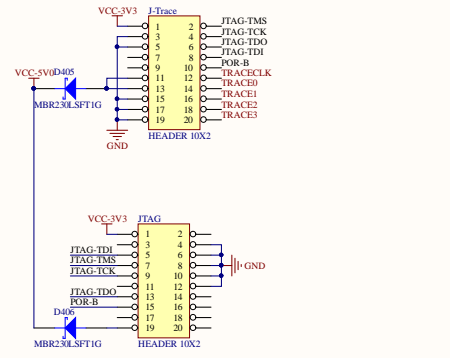
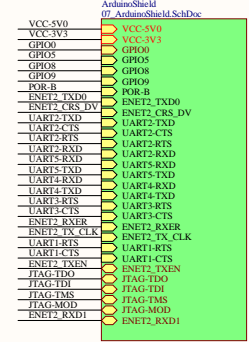
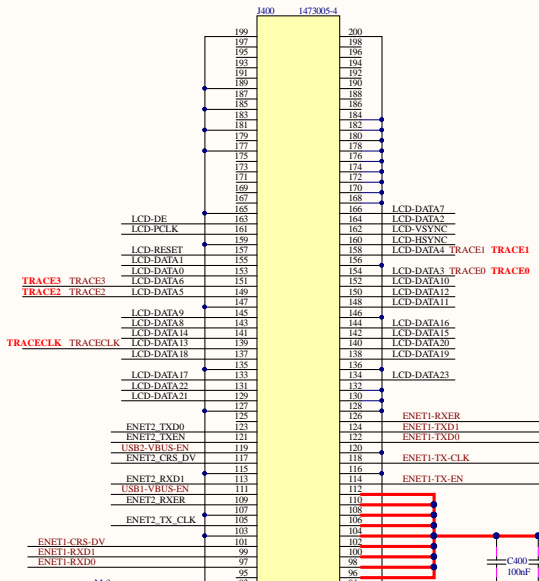
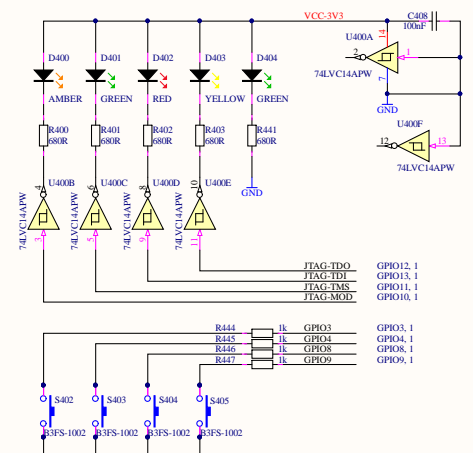
D

A

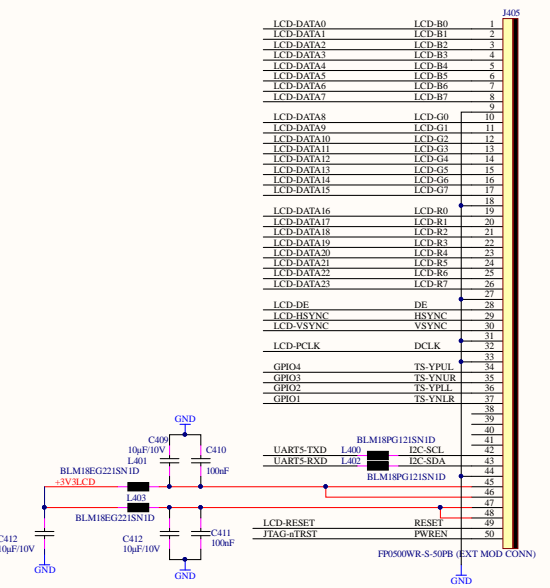
B

C

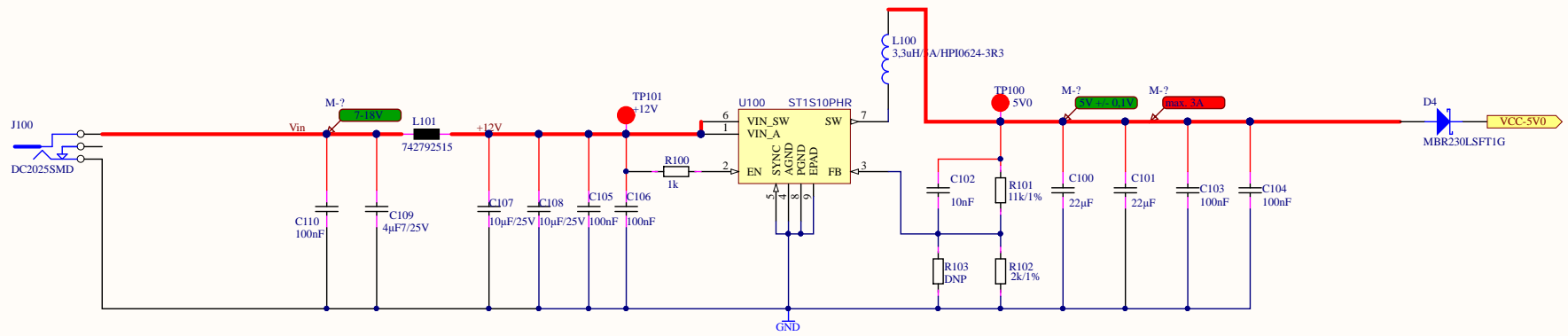
D



199	200	1	J405
198	196	2	LCD-B0
197	195	3	LCD-B1
196	194	4	LCD-B2
195	193	5	LCD-B3
194	192	6	LCD-B4
193	191	7	LCD-B5
192	190	8	LCD-B6
191	189	9	LCD-B7
190	188	10	LCD-G0
189	187	11	LCD-G1
188	186	12	LCD-G2
187	185	13	LCD-G3
186	184	14	LCD-G4
185	183	15	LCD-G5
184	182	16	LCD-G6
183	181	17	LCD-G7
182	180	18	LCD-R0
181	178	19	LCD-R1
180	176	20	LCD-R2
179	174	21	LCD-R3
178	172	22	LCD-R4
177	170	23	LCD-R5
176	168	24	LCD-R6
175	166	25	LCD-R7
174	165	26	LCD-DE
173	164	27	LCD-DE
172	163	28	LCD-DE
171	162	29	HSYNC
170	161	30	VSYNC
169	160	31	VSYNC
168	158	32	DCLK
167	156	33	DCLK
166	155	34	DCLK
165	154	35	DCLK
164	152	36	DCLK
163	150	37	DCLK
162	148	38	DCLK
161	147	39	DCLK
160	146	40	DCLK
159	144	41	DCLK
158	142	42	DCLK
157	140	43	DCLK
156	138	44	DCLK
155	136	45	DCLK
154	134	46	DCLK
153	132	47	DCLK
152	130	48	DCLK
151	128	49	DCLK
150	126	50	DCLK
149	124	51	DCLK
148	122	52	DCLK
147	120	53	DCLK
146	118	54	DCLK
145	116	55	DCLK
144	114	56	DCLK
143	112	57	DCLK
142	110	58	DCLK
141	108	59	DCLK
140	106	60	DCLK
139	104	61	DCLK
138	102	62	DCLK
137	100	63	DCLK
136	98	64	DCLK
135	96	65	DCLK
134	94	66	DCLK
133	92	67	DCLK
132	90	68	DCLK
131	88	69	DCLK
130	86	70	DCLK
129	84	71	DCLK
128	82	72	DCLK
127	80	73	DCLK
126	78	74	DCLK
125	76	75	DCLK
124	74	76	DCLK
123	72	77	DCLK
122	70	78	DCLK
121	68	79	DCLK
120	66	80	DCLK
119	64	81	DCLK
118	62	82	DCLK
117	60	83	DCLK
116	58	84	DCLK
115	56	85	DCLK
114	54	86	DCLK
113	52	87	DCLK
112	50	88	DCLK
111	48	89	DCLK
110	46	90	DCLK
109	44	91	DCLK
108	42	92	DCLK
107	40	93	DCLK
106	38	94	DCLK
105	36	95	DCLK
104	34	96	DCLK
103	32	97	DCLK
102	30	98	DCLK
101	28	99	DCLK
100	26	100	DCLK
99	24		
98	22		
97	20		
96	18		
95	16		
94	14		
93	12		
92	10		
91	8		
90	6		
89	4		
88	2		
87			
86			
85			
84			
83			
82			
81			
80			
79			
78			
77			
76			
75			
74			
73			
72			
71			
70			
69			
68			
67			
66			
65			
64			
63			
62			
61			
60			
59			
58			
57			
56			
55			
54			
53			
52			
51			
50			
49			
48			
47			
46			
45			
44			
43			
42			
41			
40			
39			
38			
37			
36			
35			
34			
33			
32			
31			
30			
29			
28			
27			
26			
25			
24			
23			
22			
21			
20			
19			
18			
17			
16			
15			
14			
13			
12			
11			
10			
9			
8			
7			
6			
5			
4			
3			
2			
1			

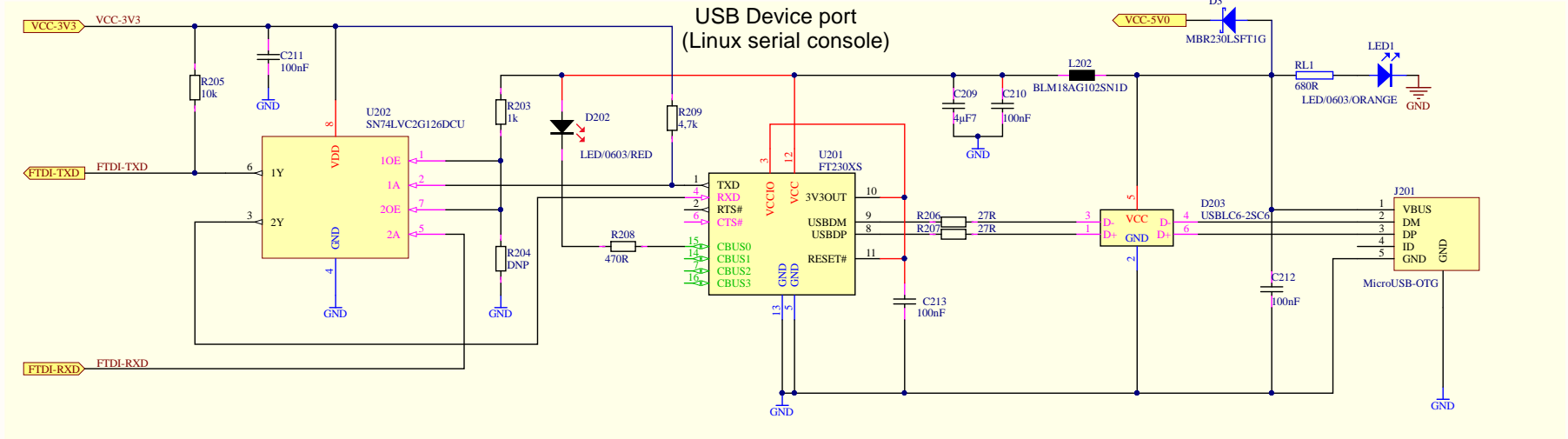
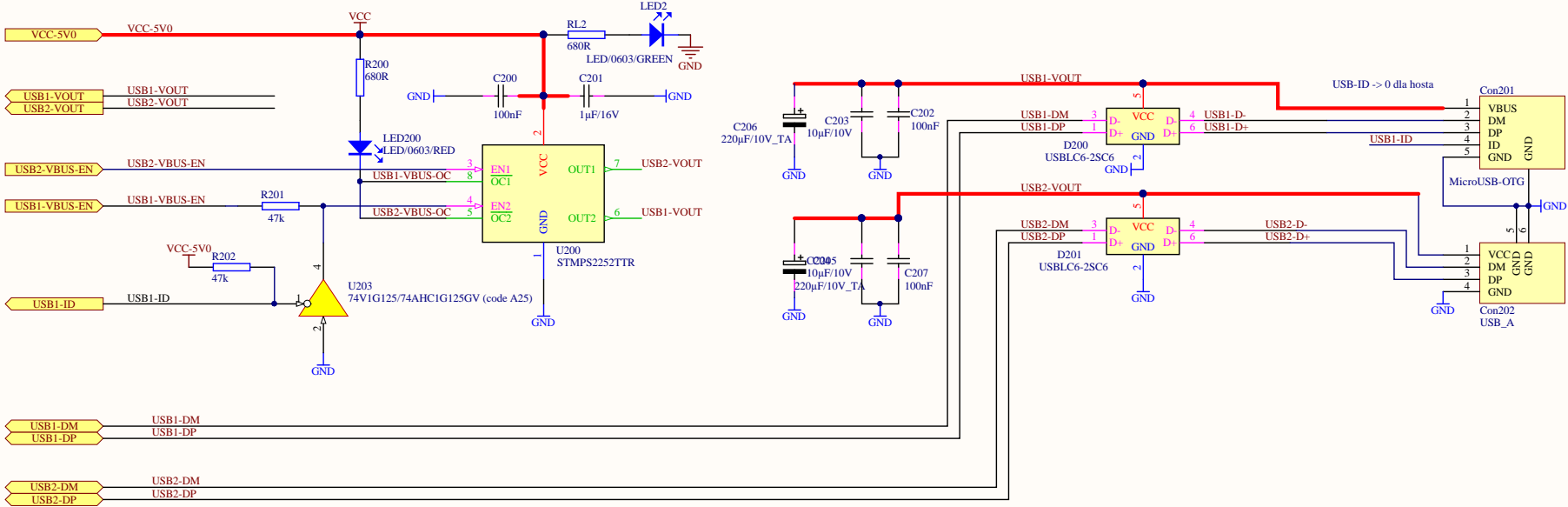


# Power supply - DC/DC converter



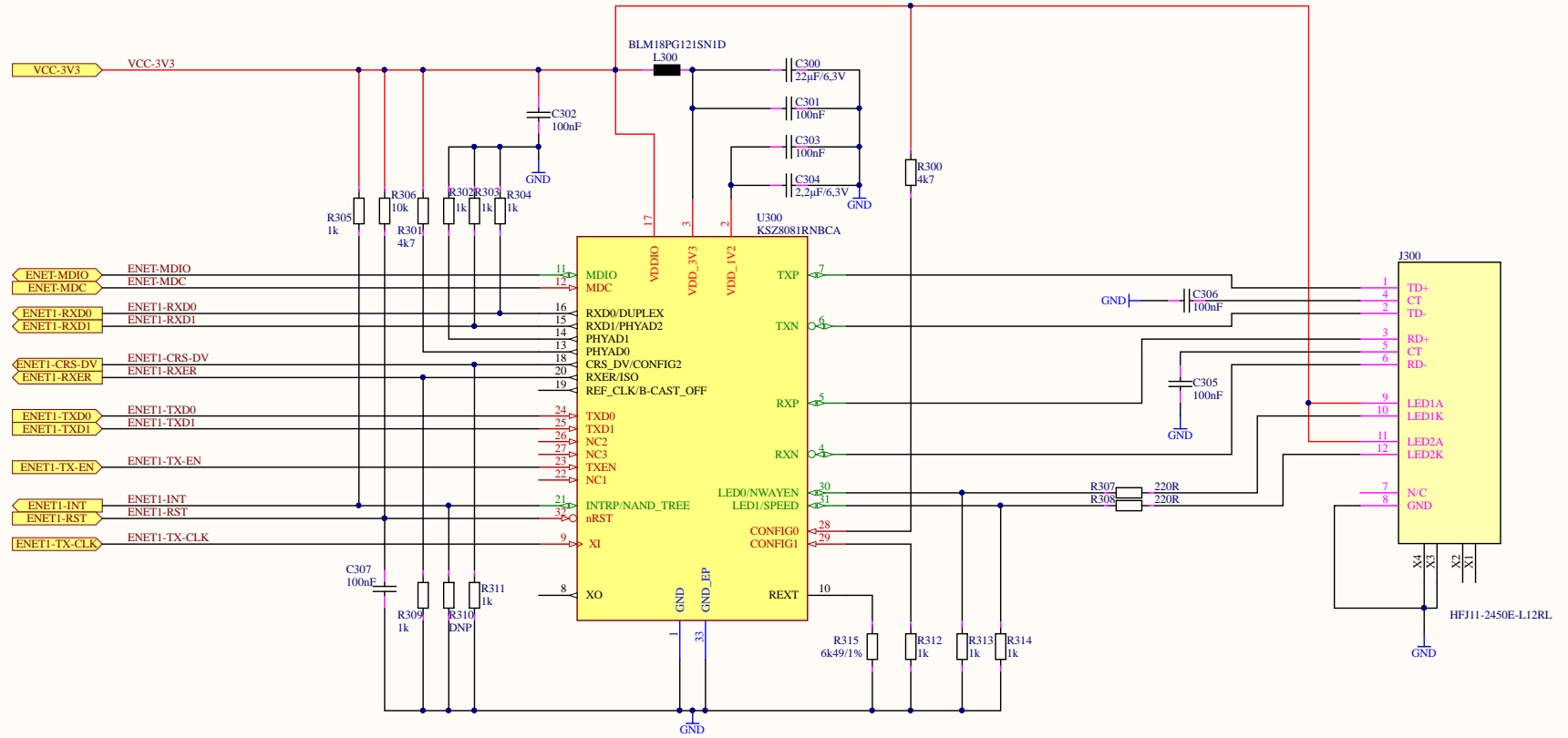
Title		
Size A3	Number	Revision
Date:	06.02.2019	Sheet of
File:	D:\Projekt\...04_PowerSupply.SchDoc	Drawn By:

# USB interfaces



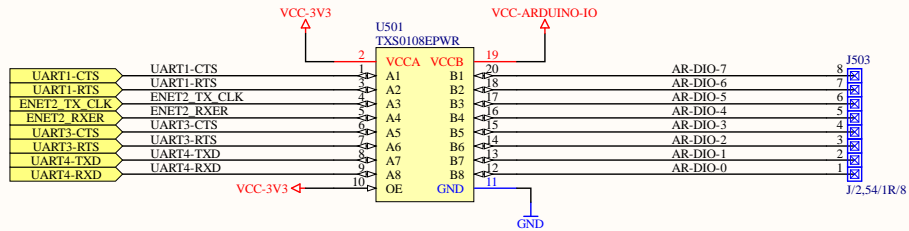
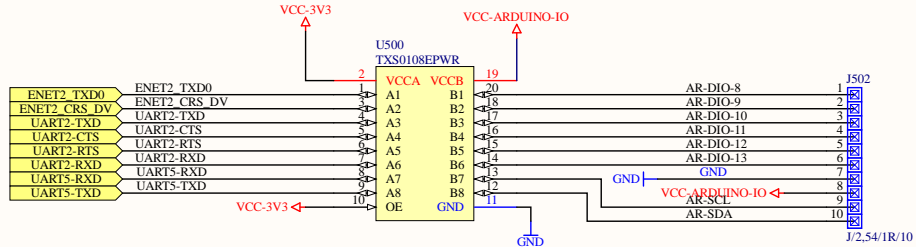
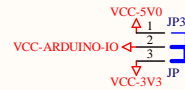
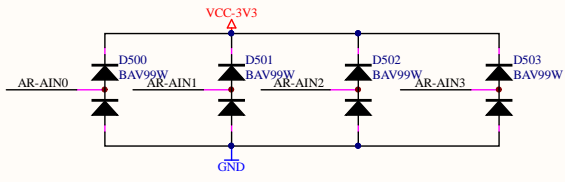
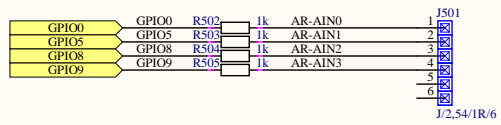
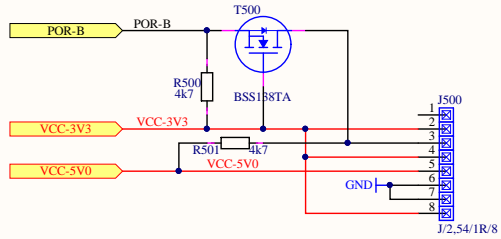
Title		
Size	Number	Revision
A3		
Date:	06.02.2019	Sheet of
File:	D:\Projekt\...05_USBInterface.SchDoc	Drawn By:

# Ethernet interface



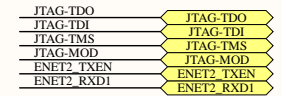
Title		
Size	Number	Revision
A3		
Date:	06.02.2019	Sheet of
File:	D:\Projekt\...06_EthInterface.SchDoc	Drawn By:

# Arduino shield - compatible interface



## RPI3 compatible header

Header Pin	Function	Header Pin	Function
1	VCC-3V3	19	VCC-5V0
2	UART5-RXD	20	VCC-5V0
3	UART5-TXD	21	GND
4	ENET2-TXD0	22	UART4-TXD
5	GND	23	UART4-RXD
6	ENET2-CRS-DV	24	GPIO5
7	UART1-CTS	25	GND
8	UART1-RTS	26	GPIO8
9	VCC-3V3	27	GPIO9
10	UART2-CTS	28	GND
11	UART2-RTS	29	GPIO0
12	UART2-RXD	30	UART2-TXD
13	GND	31	ENET2-TXEN
14	ENET2-TX-CLK	32	GND
15	ENET2-RXER	33	JTAG-MOD
16	UART3-CTS	34	GND
17	UART3-RTS	35	JTAG-TDO
18	ENET2-RXD1	36	JTAG-TDI
19	GND	37	JTAG-TMS
20		38	
21		39	
22		40	



Title			
Size	Number	Revision	
A3			
Date:	06.02.2019	Sheet	of
File:	D:\Projekt\...07_ArduinoShield.SchDoc	Drawn By:	