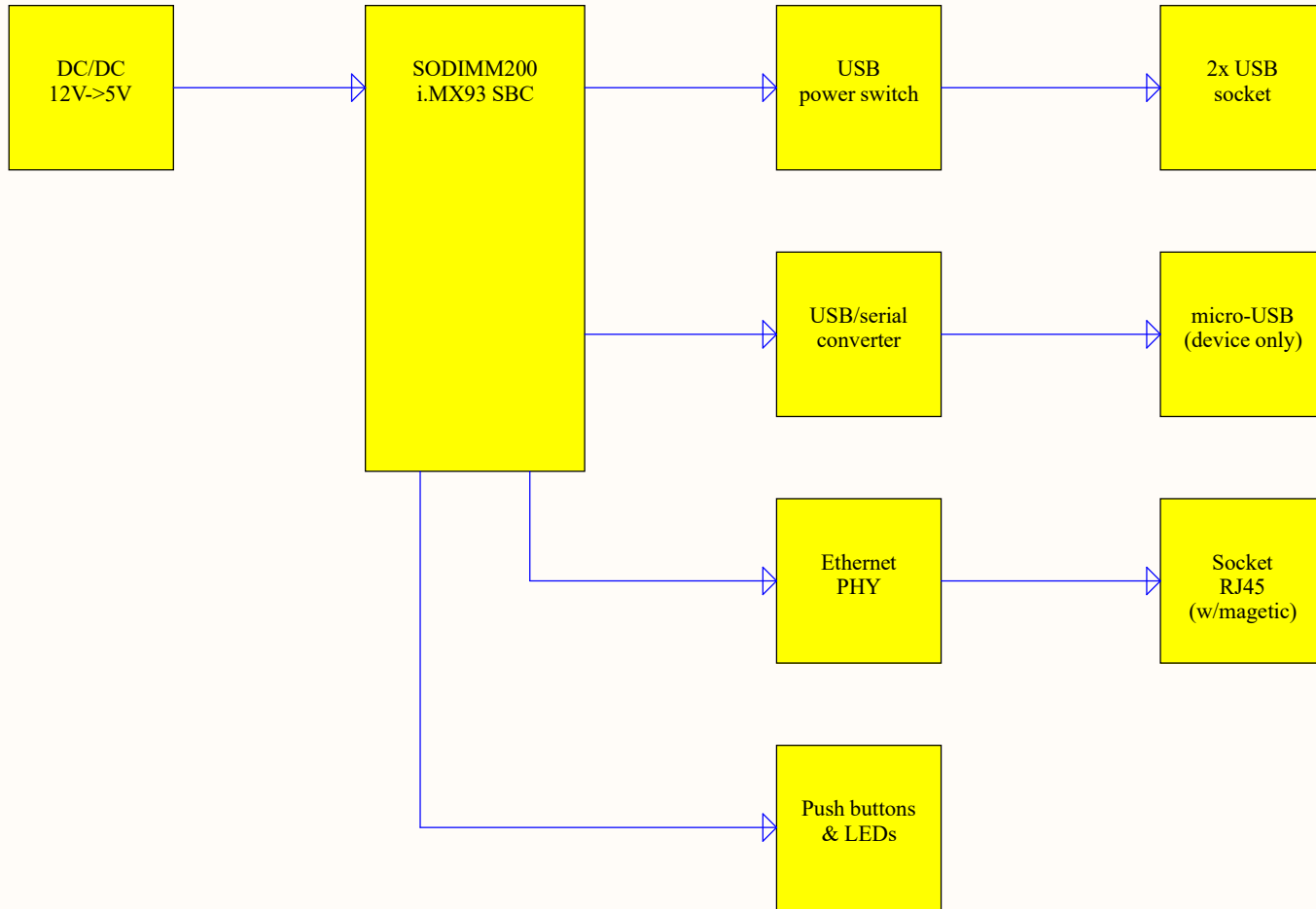
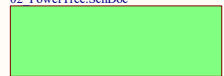


Block diagram



U_02_PowerTree
02_PowerTree.SchDoc

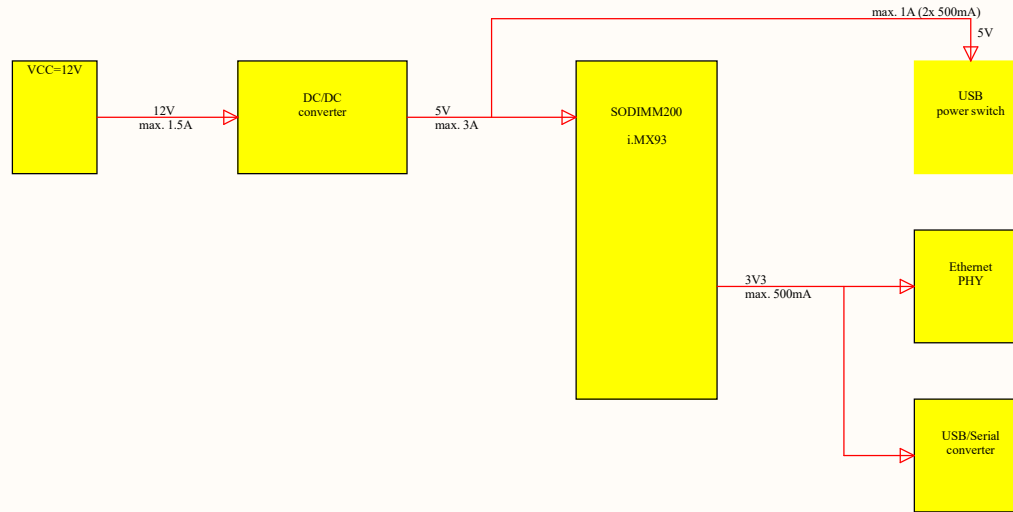


U_03_Interconnect
03_Interconnect.SchDoc

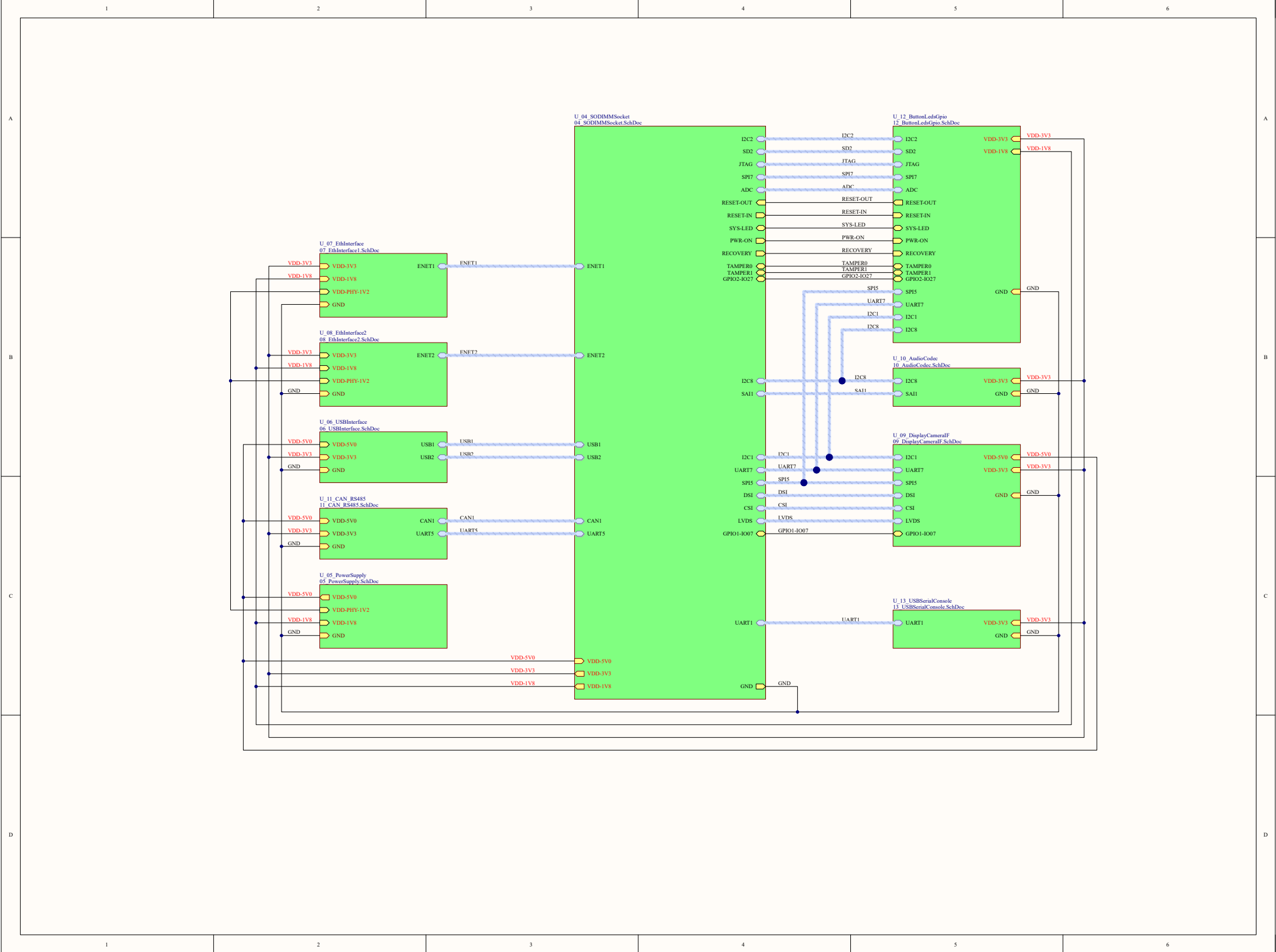


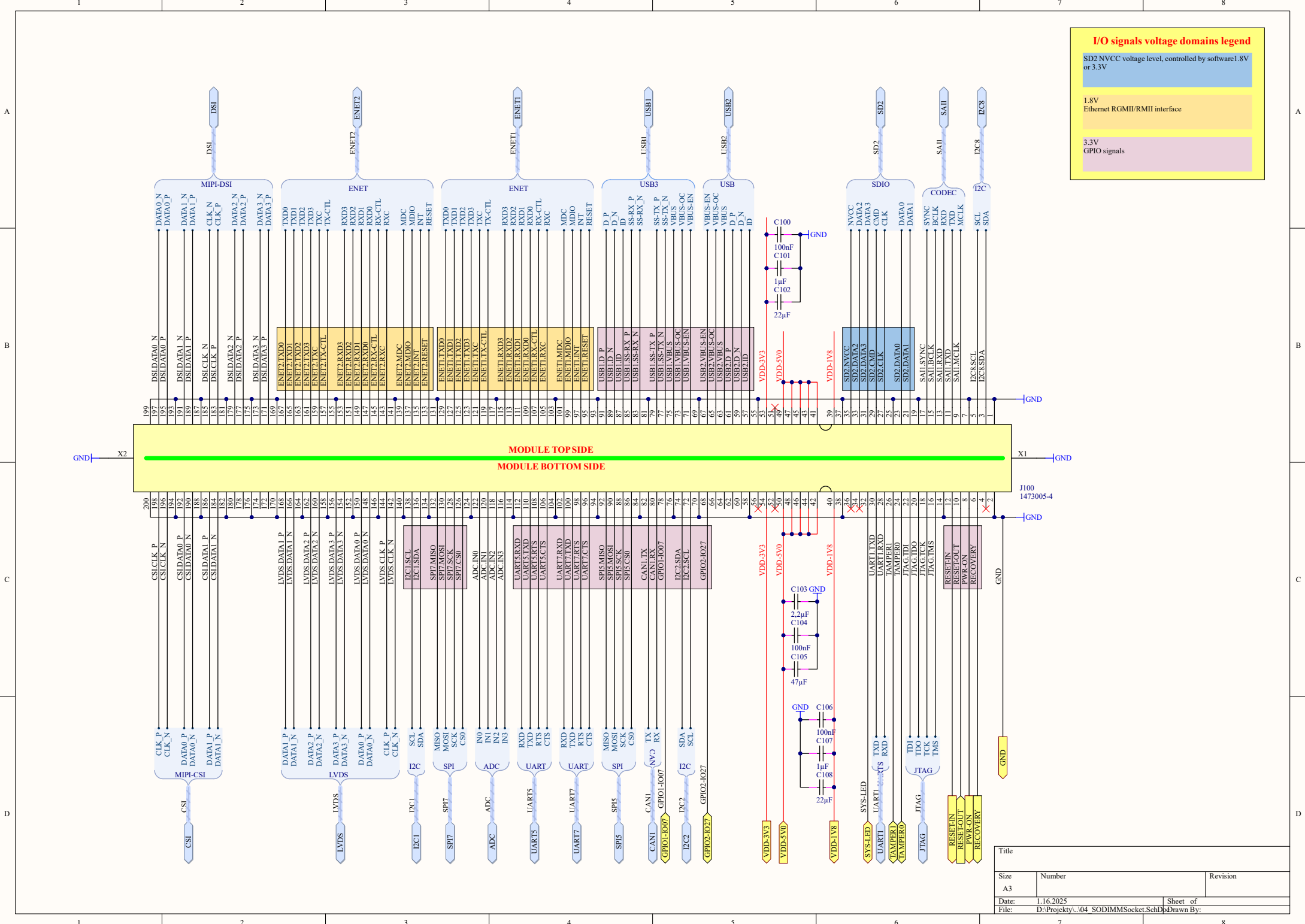
Title		
Size A3	Number	Revision
Date: 1.16.2025	Sheet of	
File: D:\Projekty\..01_BlockDiagram.SchDoc	Drawn By:	

Power tree



Title		
Size	Number	Revision
A3		
Date:	1.16.2025	Sheet of
File:	D:\Projekty\..02 PowerTree.SchDoc	Drawn By:



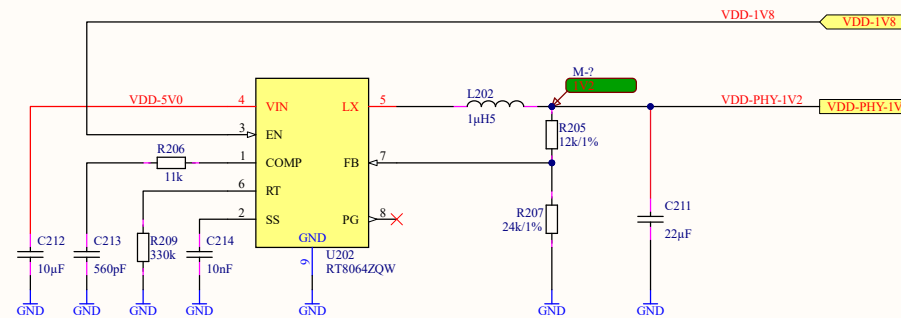
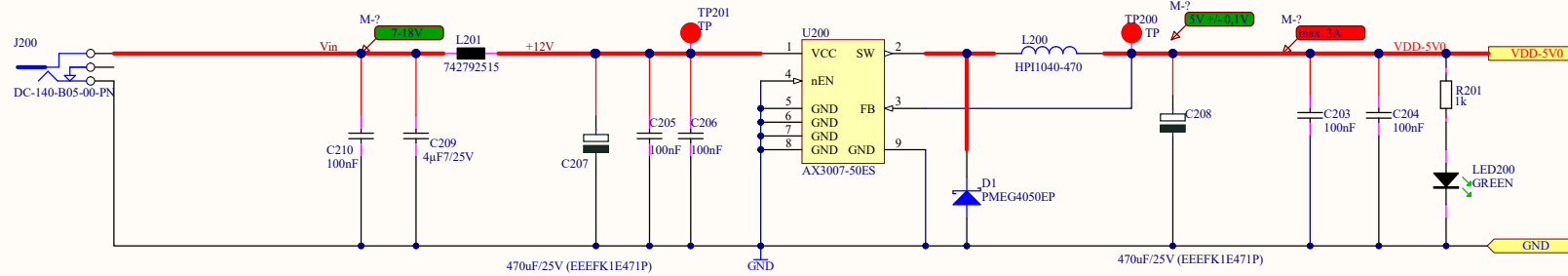


I/O signals voltage domains legend

- SD2 NVCC voltage level, controlled by software 1.8V or 3.3V
- 1.8V Ethernet RGMII/RMII interface
- 3.3V GPIO signals

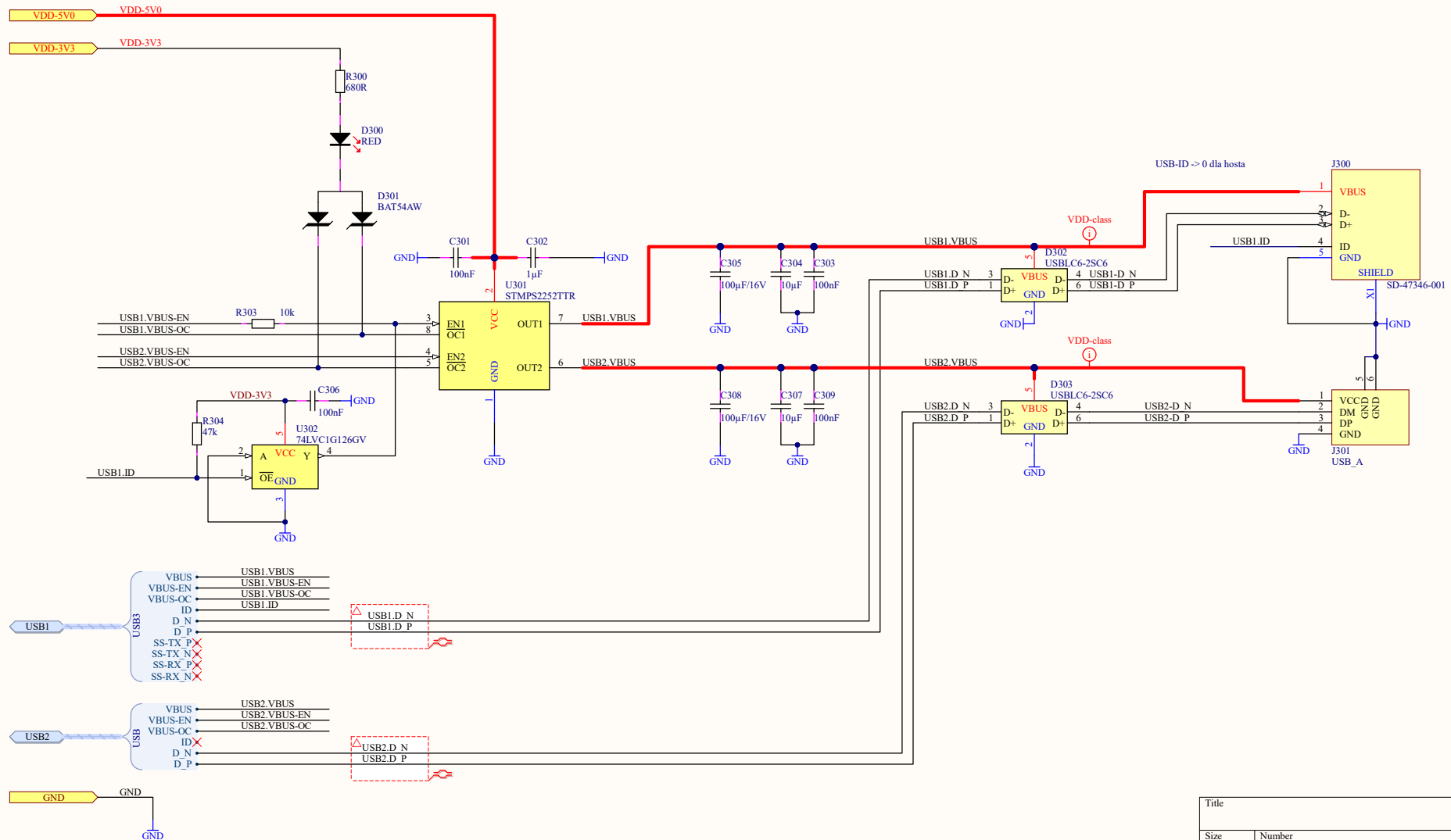
Title		
Size	Number	Revision
A3		
Date:	1.16.2025	Sheet of
File:	D:\Projekty\..04_SODIMMSocket_SchD	Drawn By:

Power supply - DC/DC converter



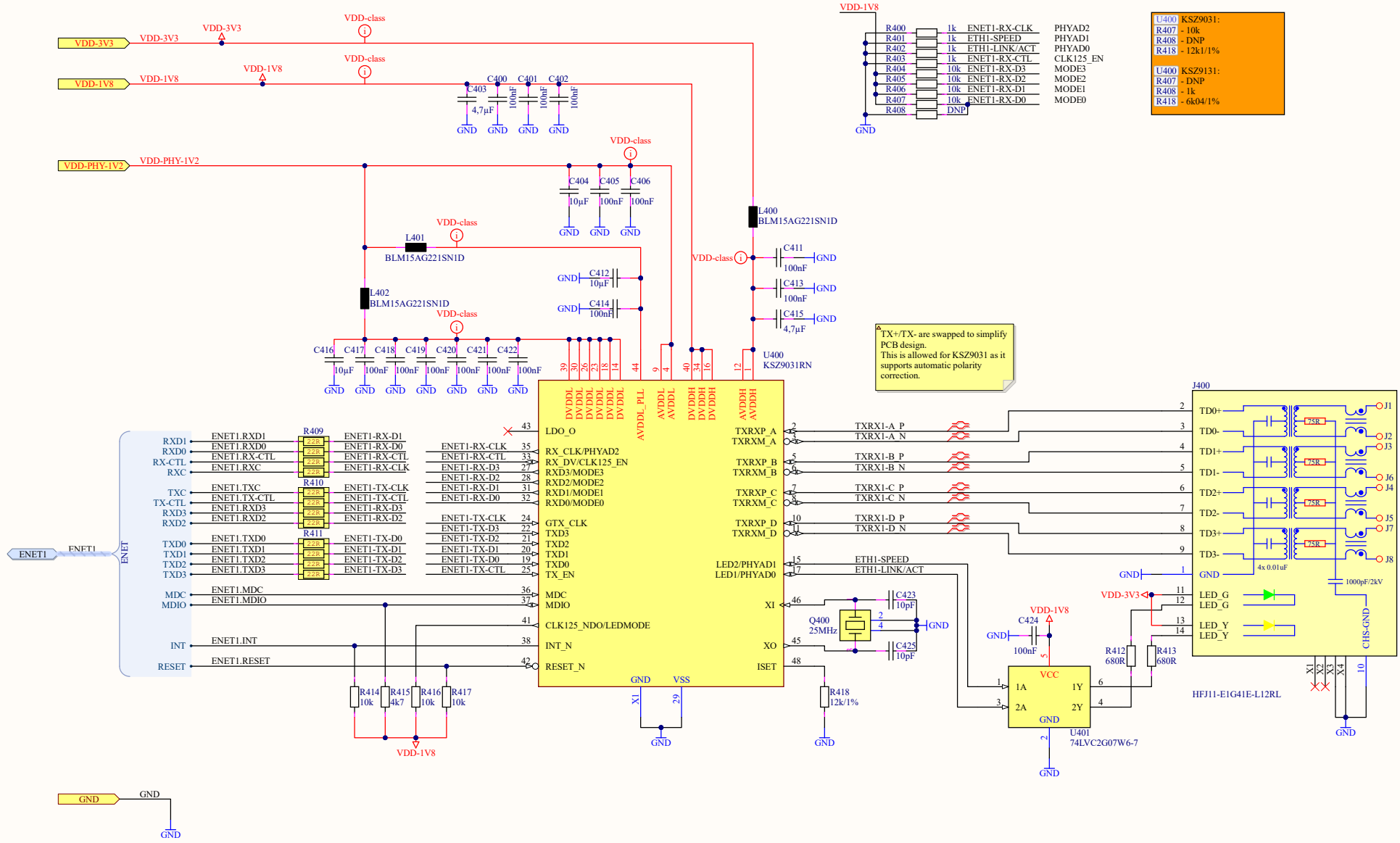
Title		
Size	Number	Revision
A3		
Date:	1.16.2025	Sheet of
File:	D:\Projekty\..05 PowerSupply.SchDoc	Drawn By:

USB interfaces



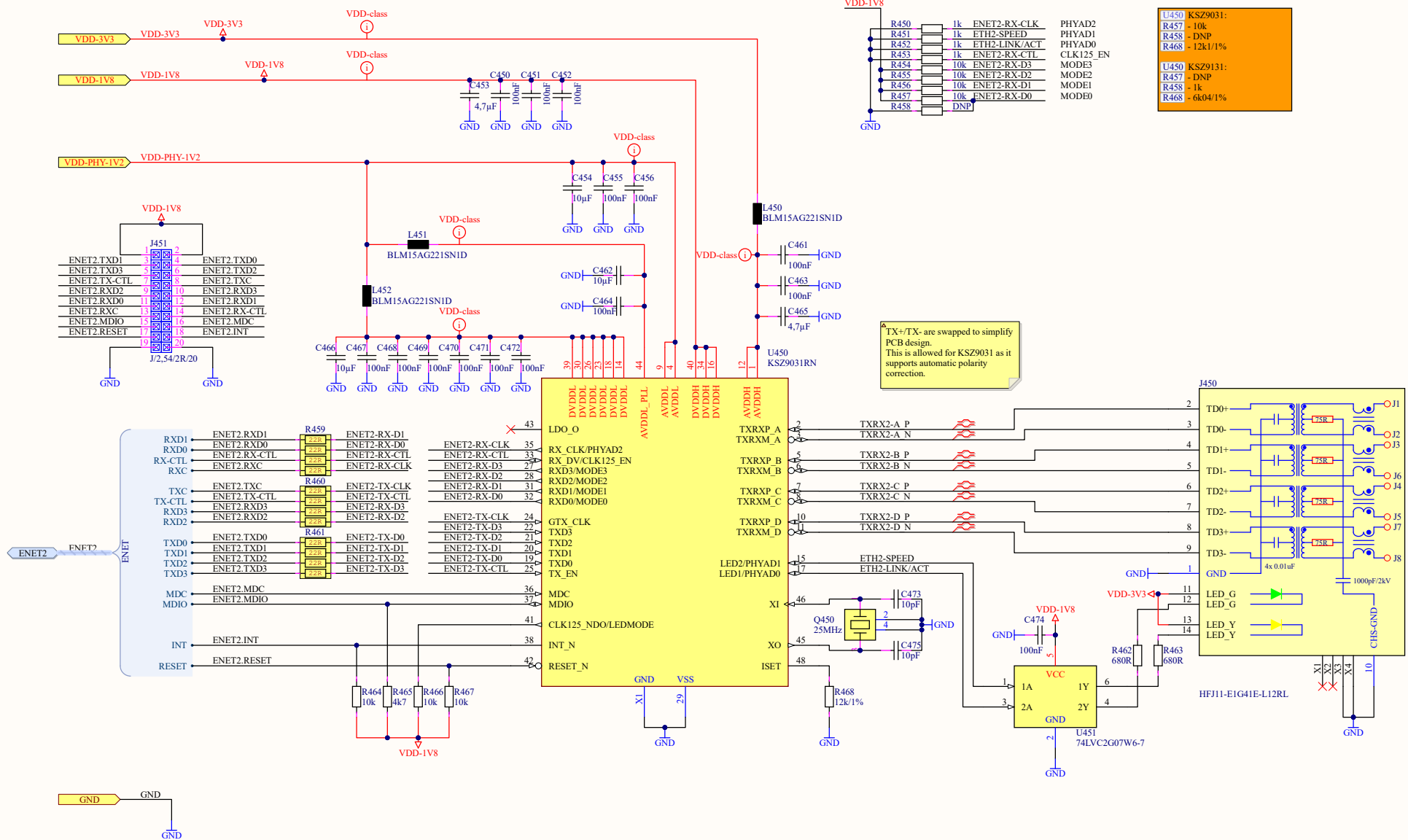
Title		
Size	Number	Revision
A3		
Date:	1.16.2025	Sheet of
File:	D:\Projekty\..06 USBInterface.SchDoc	Drawn By:

Gigabit Ethernet



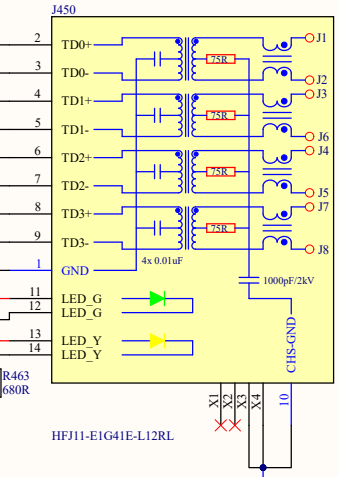
Title		
Size	Number	Revision
A3		
Date:	1.16.2025	Sheet of
File:	D:\Projekty\..07 EthInterface1_SchDoc	Drawn By:

Gigabit Ethernet



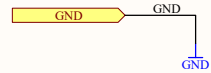
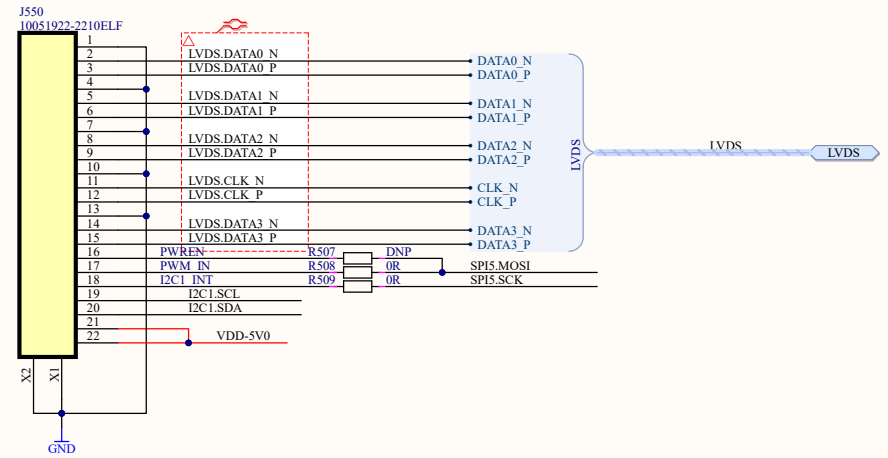
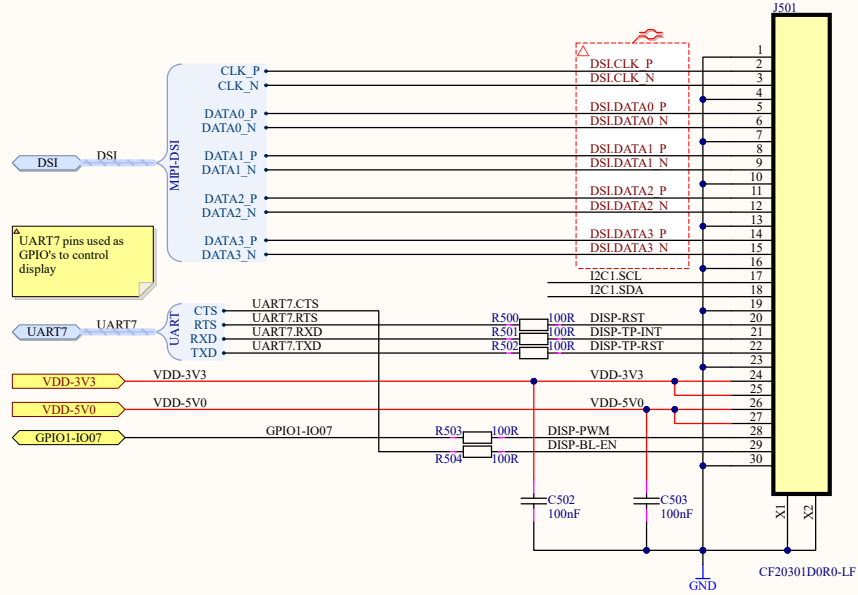
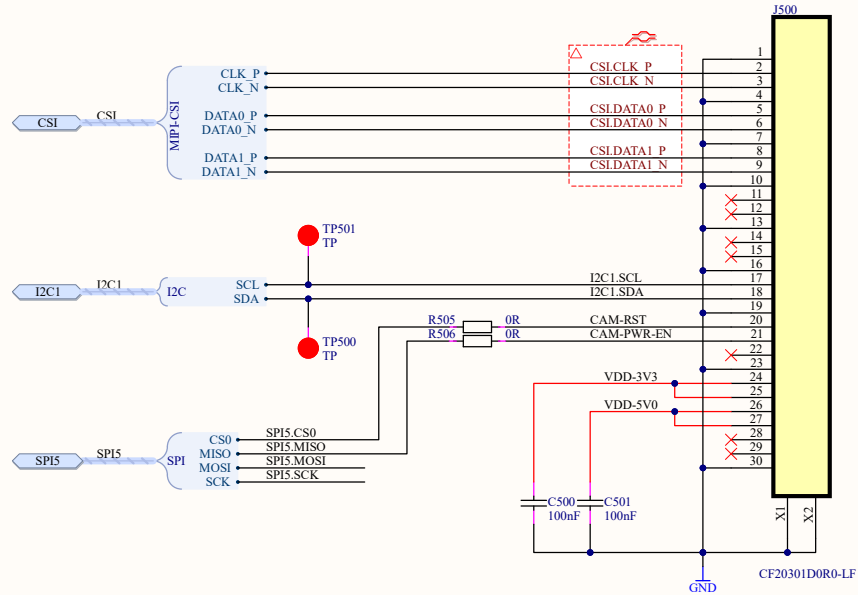
U450	KSZ9031:
R450	- 10k
R451	- DNP
R452	- DNP
R453	- 12k1/1%
U450	KSZ9131:
R454	- DNP
R455	- 1k
R456	- 6k04/1%
R457	- DNP
R458	- DNP

TX+/TX- are swapped to simplify PCB design. This is allowed for KSZ9031 as it supports automatic polarity correction.



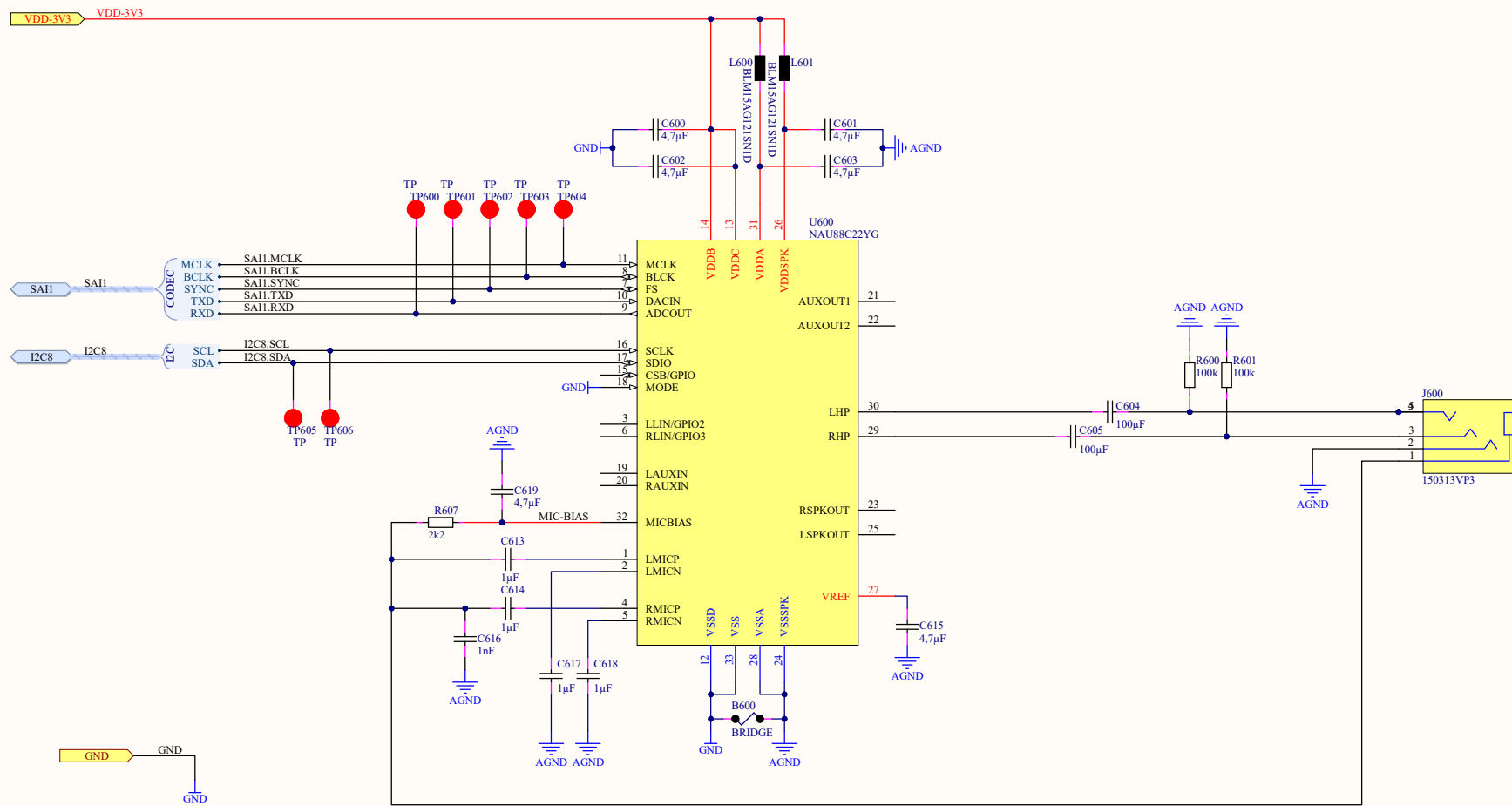
Title		
Size	Number	Revision
A3		
Date:	1.16.2025	Sheet of
File:	D:\Projekt\...\08_EthInterface2_SchDoc	Drawn By:

Camera & Display IF

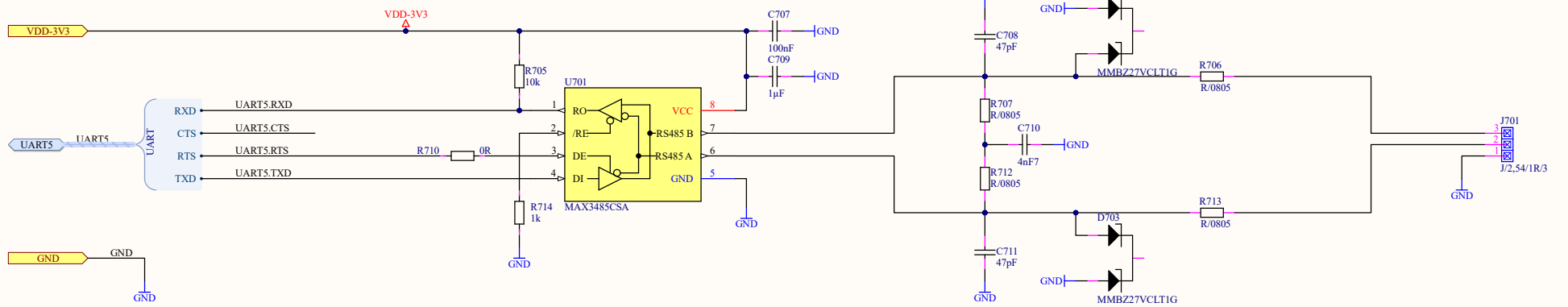
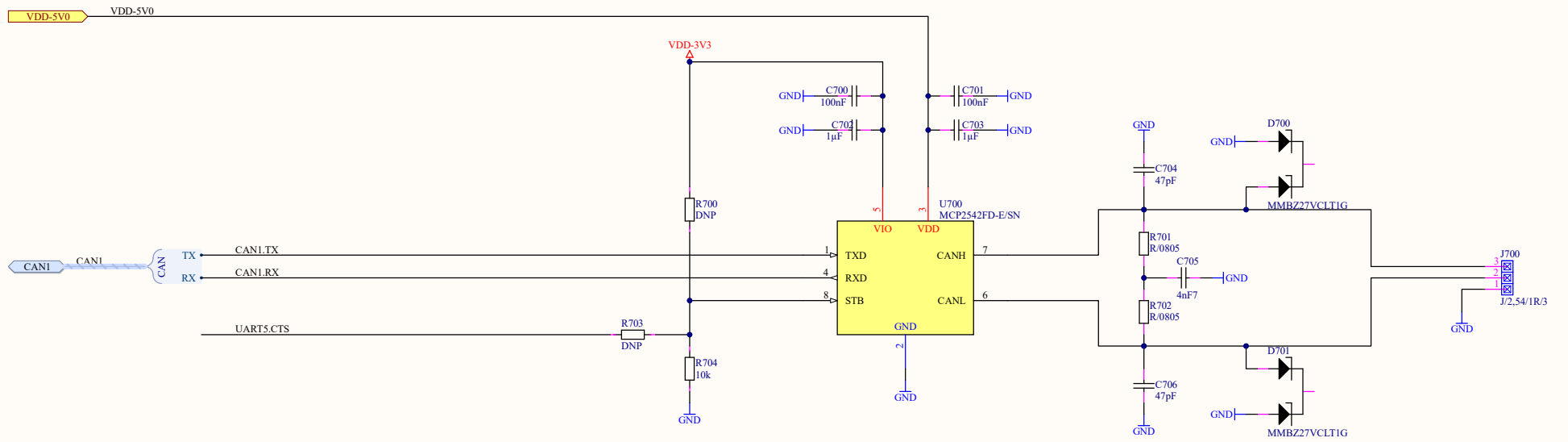


Title		
Size	Number	Revision
A3		
Date:	1.16.2025	Sheet of
File:	D:\Projekty\..09_DisplayCamera\F.Sch	Drawn By:

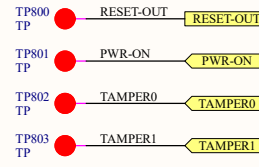
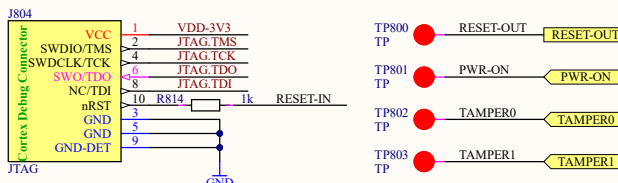
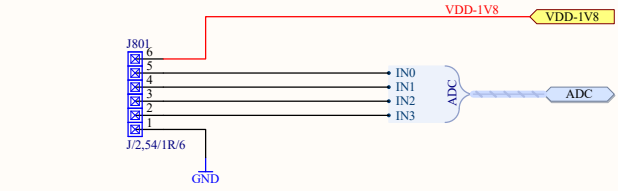
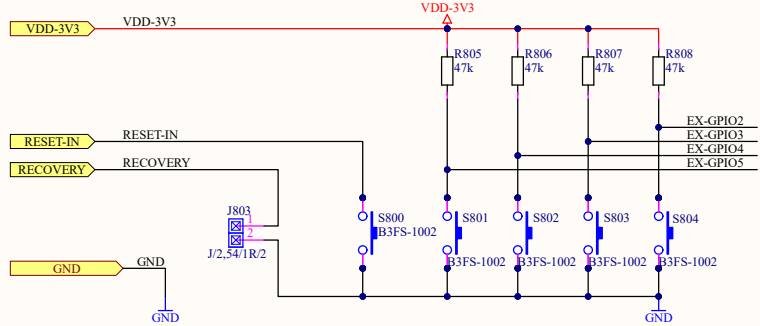
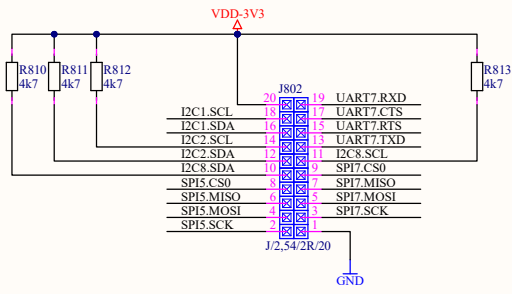
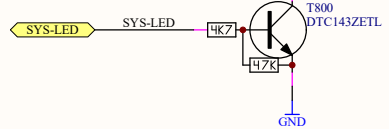
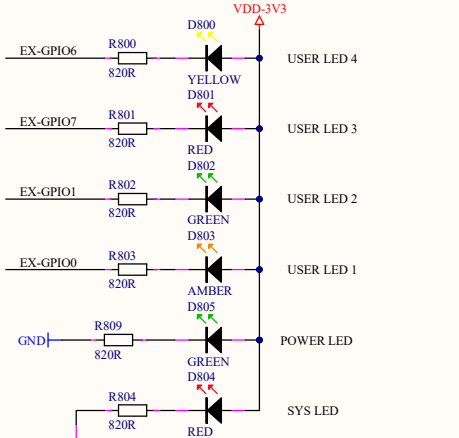
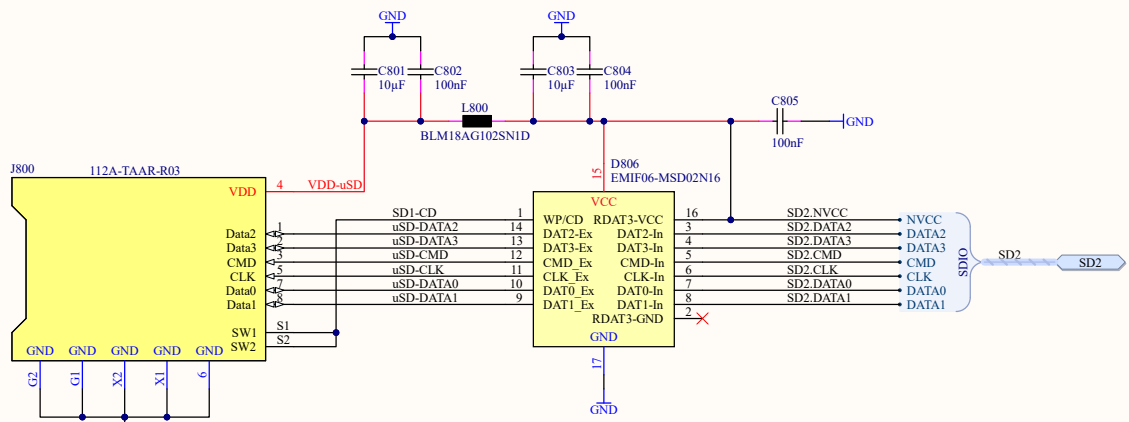
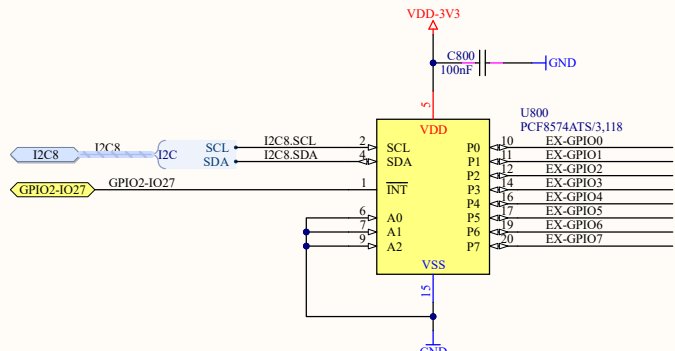
AUDIO-CODEC



Title		
Size	Number	Revision
A3		
Date:	1.16.2025	Sheet of
File:	D:\Projekty\10_AudioCodec.SchDoc	Drawn By:

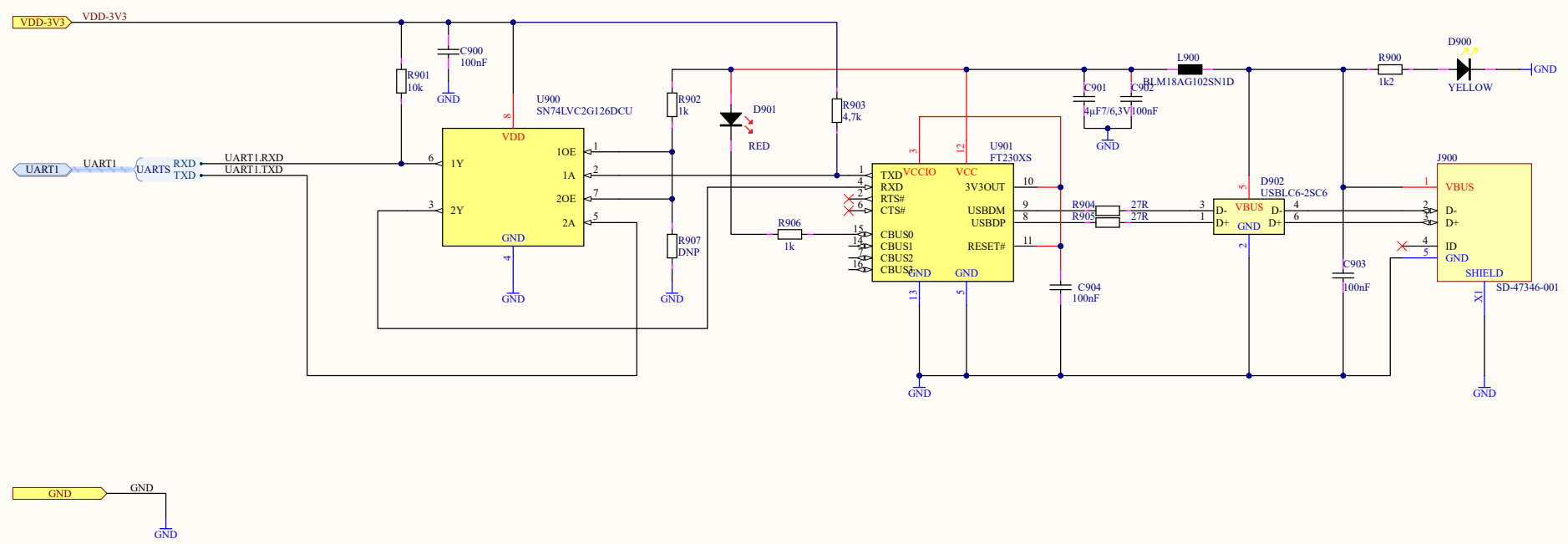


Title		
Size	Number	Revision
A3		
Date:	1.16.2025	Sheet of
File:	D:\Projekty\11 CAN RS485.SchDoc	Drawn By:



Title		
Size	Number	Revision
A3		
Date:	1.16.2025	Sheet of
File:	D:\Projekty\112 ButtonLedsGpio,SchDok	Drawn By:

Serial Console over USB



Title		
Size	Number	Revision
A3		
Date:	1.16.2025	Sheet of
File:	D:\Projekty\13 USBSerialConsole.Sch	Drawn By: