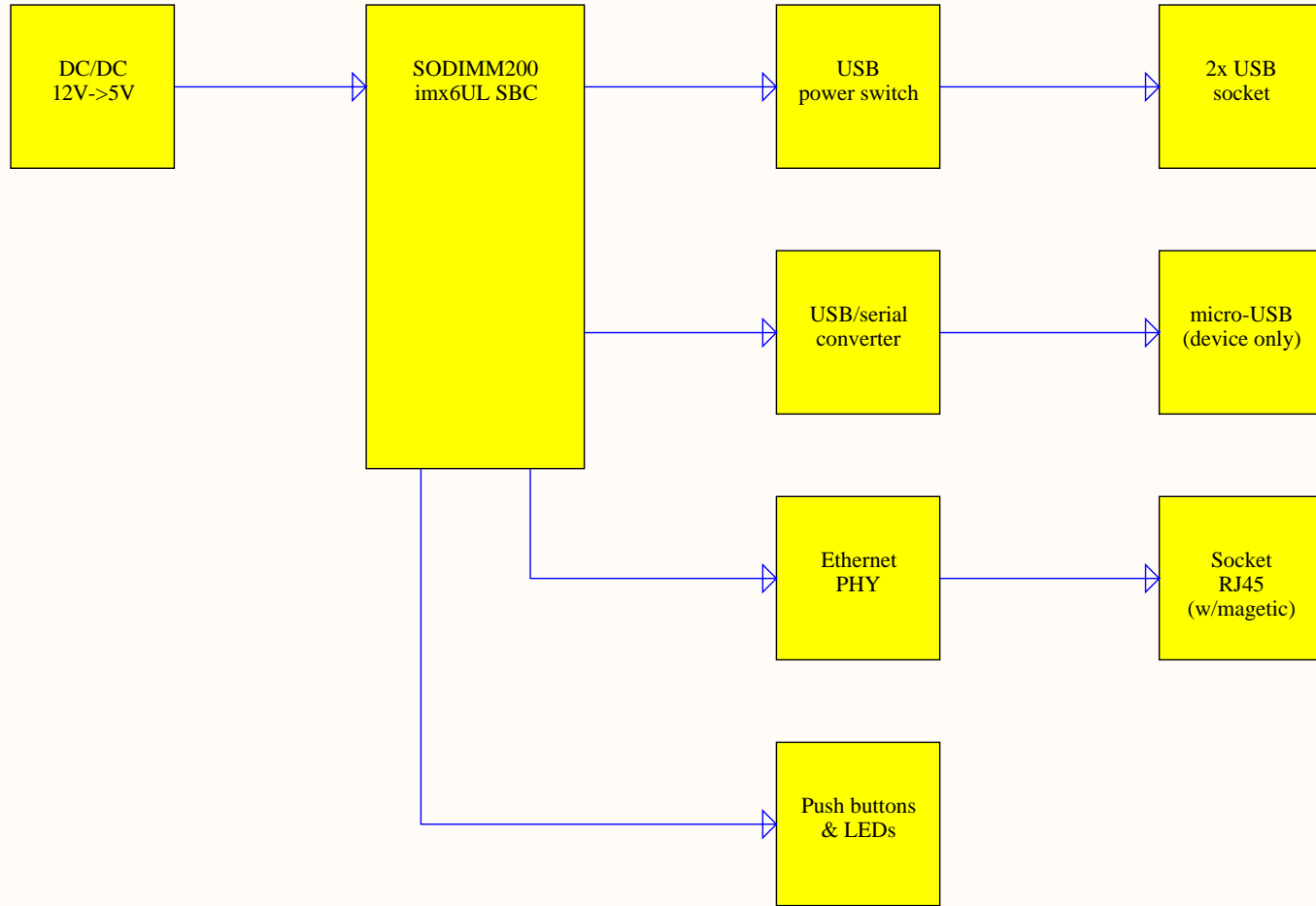
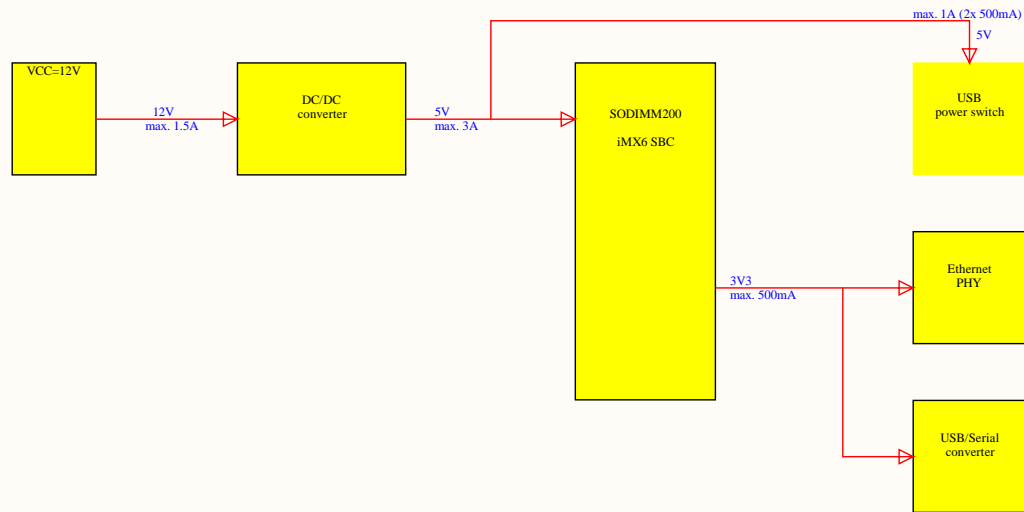


Block diagram

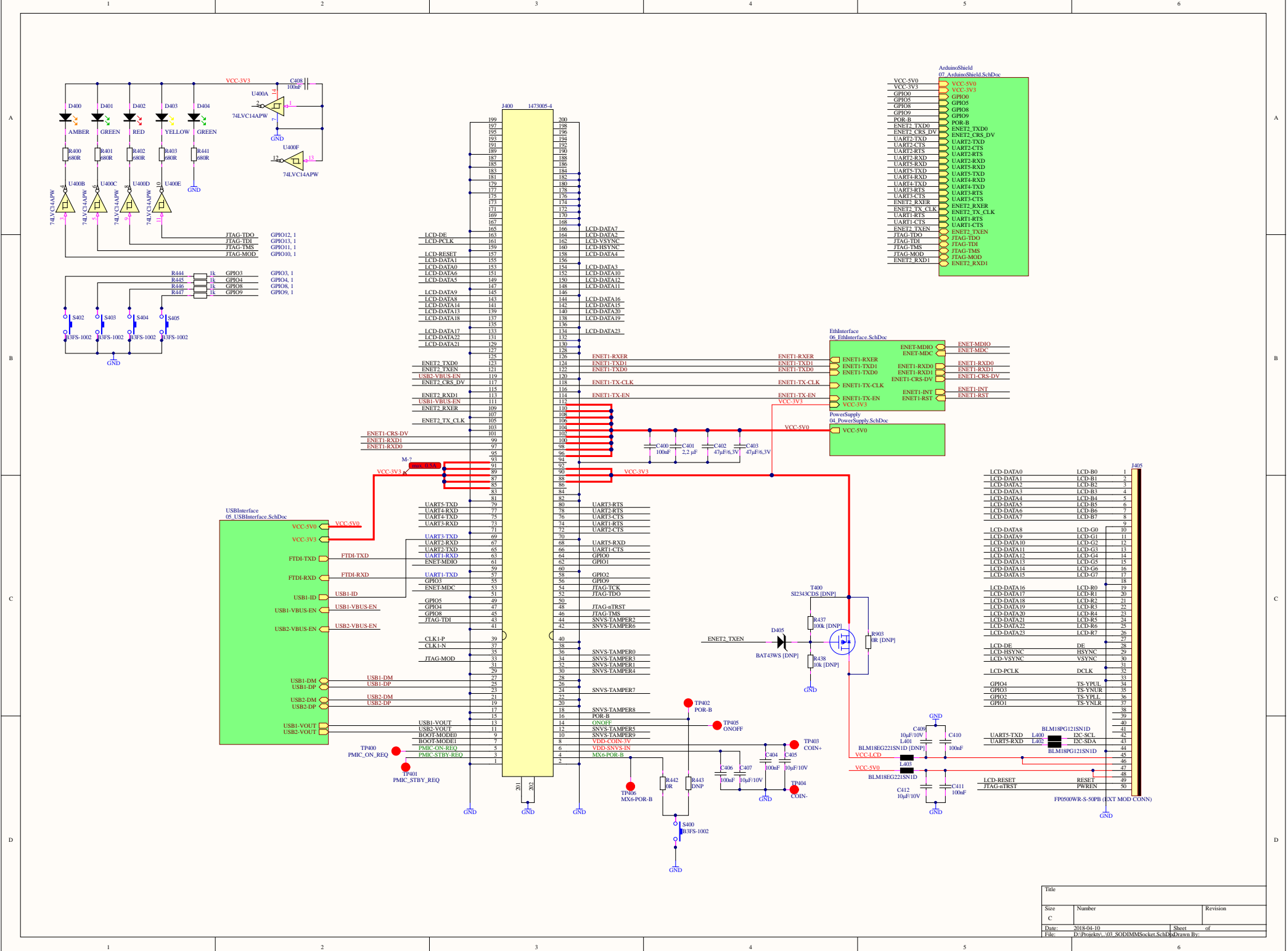


Title		
Size A3	Number	Revision
Date: 2018-04-10	Sheet of	
File: D:\Projekty\...01_BlockDiagram.SchDoc	Drawn By:	

Power tree

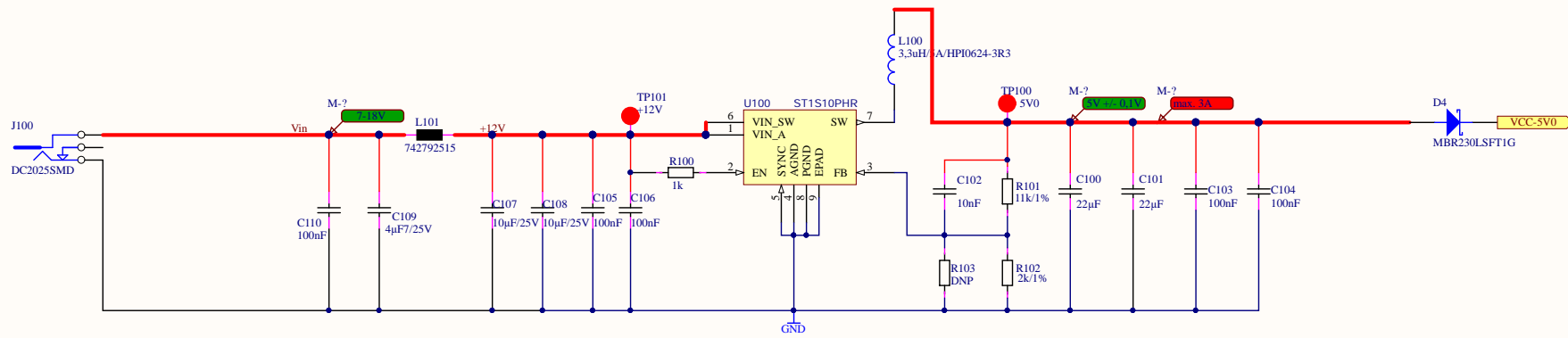


Title		
Size	Number	Revision
A3		
Date:	2018-04-10	Sheet of
File:	D:\Projekt\...02_PowerTree.SchDoc	Drawn By:



Title		
Size	Number	Revision
C		
Date:	2018-04-10	Sheet of
File:	D:\Prods\03_SODIMMSocket_Sch\Drawn By:	

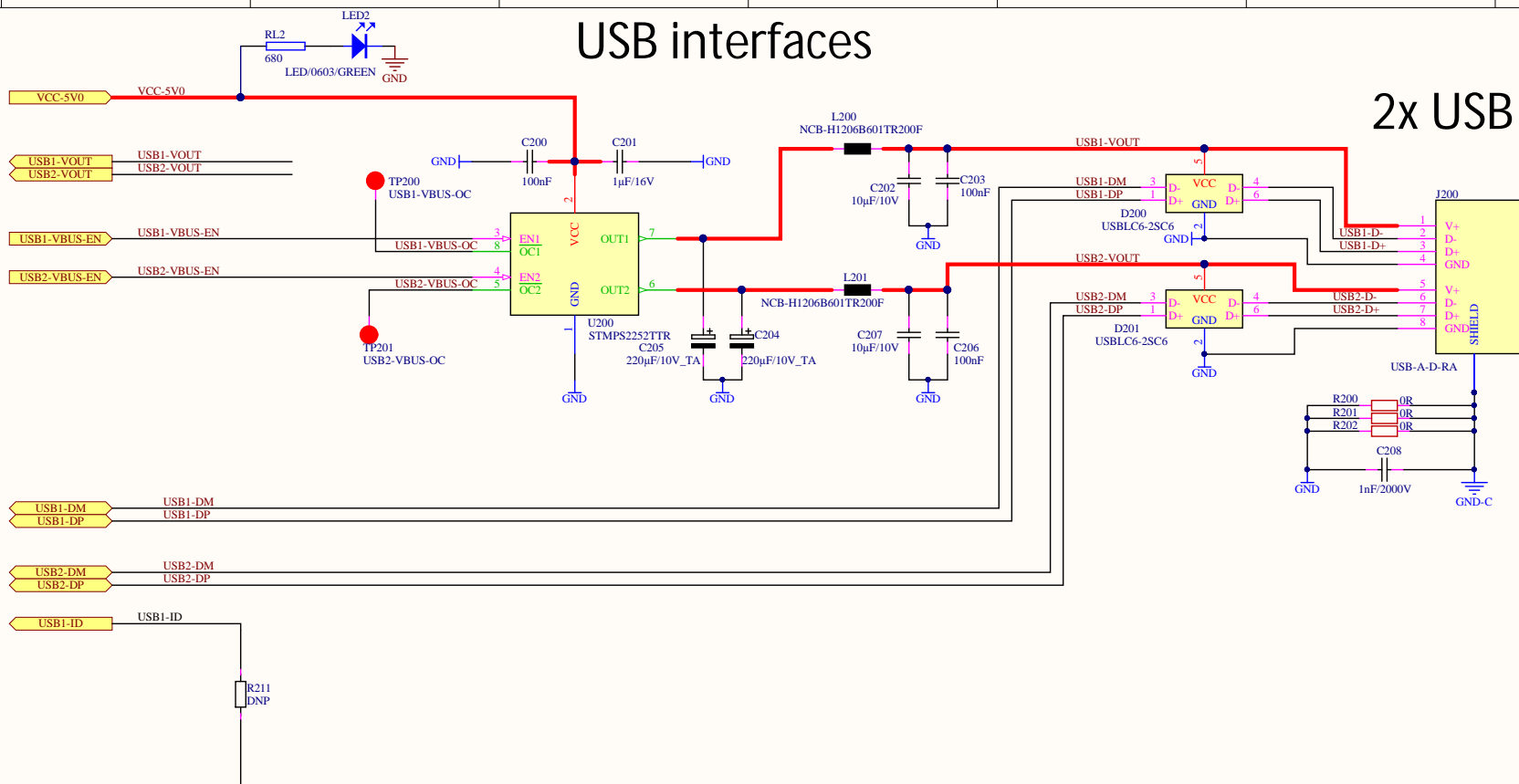
Power supply - DC/DC converter



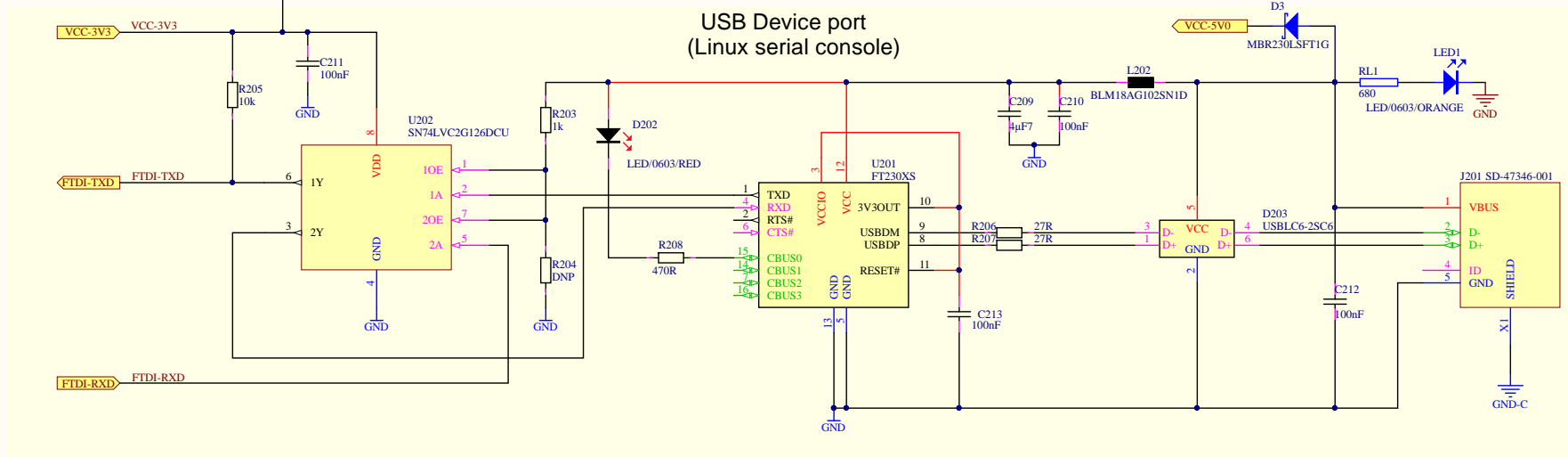
Title		
Size	Number	Revision
A3		
Date:	2018-04-10	Sheet of
File:	D:\Projekt\...04_PowerSupply.SchDoc	Drawn By:

USB interfaces

2x USB Host

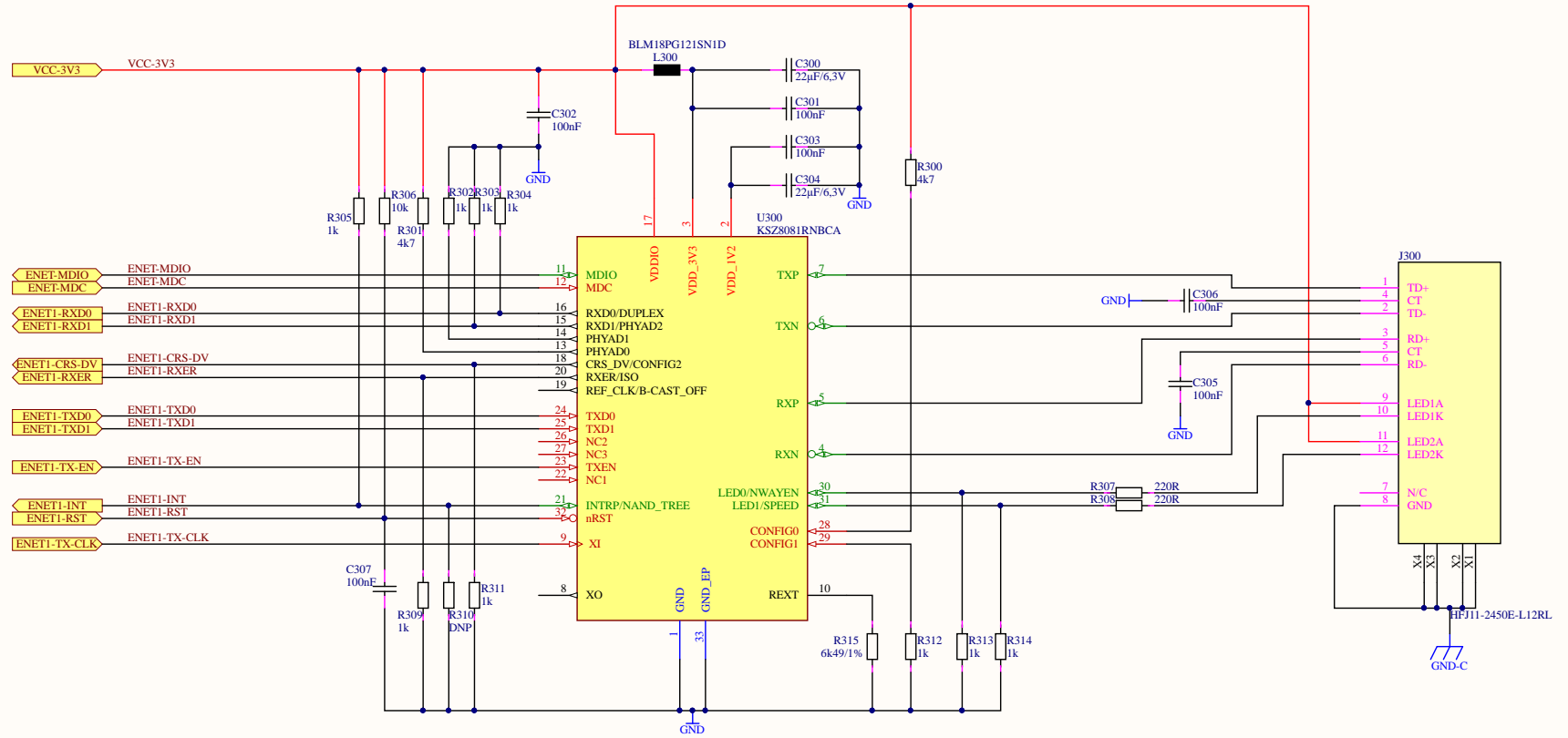


USB Device port (Linux serial console)



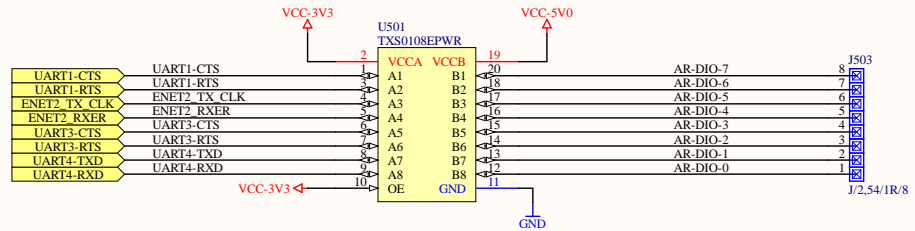
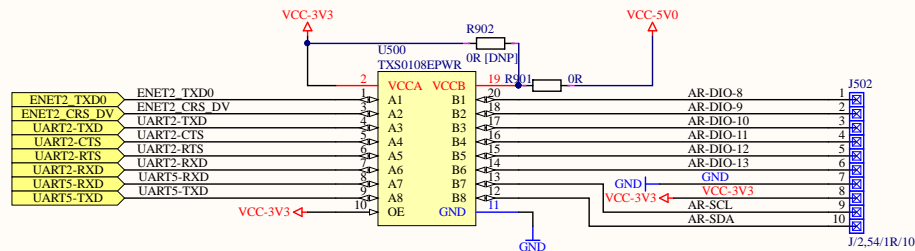
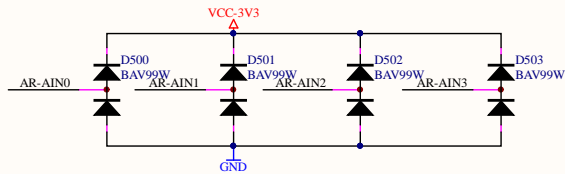
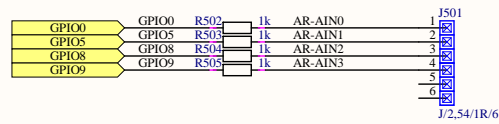
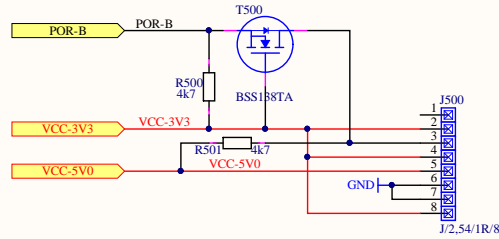
Title		
Size	Number	Revision
A3		
Date:	2018-04-10	Sheet of
File:	D:\Projektiv\...05_USBInterface.SchDoc	Drawn By:

Ethernet interface



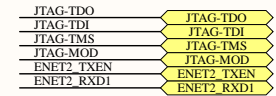
Title		
Size	Number	Revision
A3		
Date:	2018-04-10	Sheet of
File:	D:\Projekt\...06_EthInterface.SchDoc	Drawn By:

Arduino shield - compatible interface



RPI3 compatible header

Header Pin	Function	Header Pin	Function
1	VCC-3V3	19	VCC-5V0
2	UART5-RXD	20	VCC-5V0
3	UART5-TXD	21	GND
4	ENET2-TXD0	22	UART4-TXD
5	GND	23	UART4-RXD
6	ENET2-CRS-DV	24	GPI05
7	UART1-CTS	25	GND
8	UART1-RTS	26	GPI08
9	VCC-3V3	27	GPI09
10	UART2-CTS	28	GND
11	UART2-RTS	29	GPI00
12	UART2-RXD	30	UART2-TXD
13	GND	31	ENET2-TXEN
14	ENET2-TX-CLK	32	GND
15	ENET2-RXER	33	JTAG-MOD
16	UART3-CTS	34	GND
17	UART3-RTS	35	JTAG-TDO
18	ENET2-RXD1	36	JTAG-TDI
19	GND	37	JTAG-TMS
20		38	
21		39	
22		40	



Title		
Size	Number	Revision
A3		
Date:	2018-04-10	Sheet of
File:	D:\Projekty\...07_ArduinoShield.SchDoc	Drawn By: