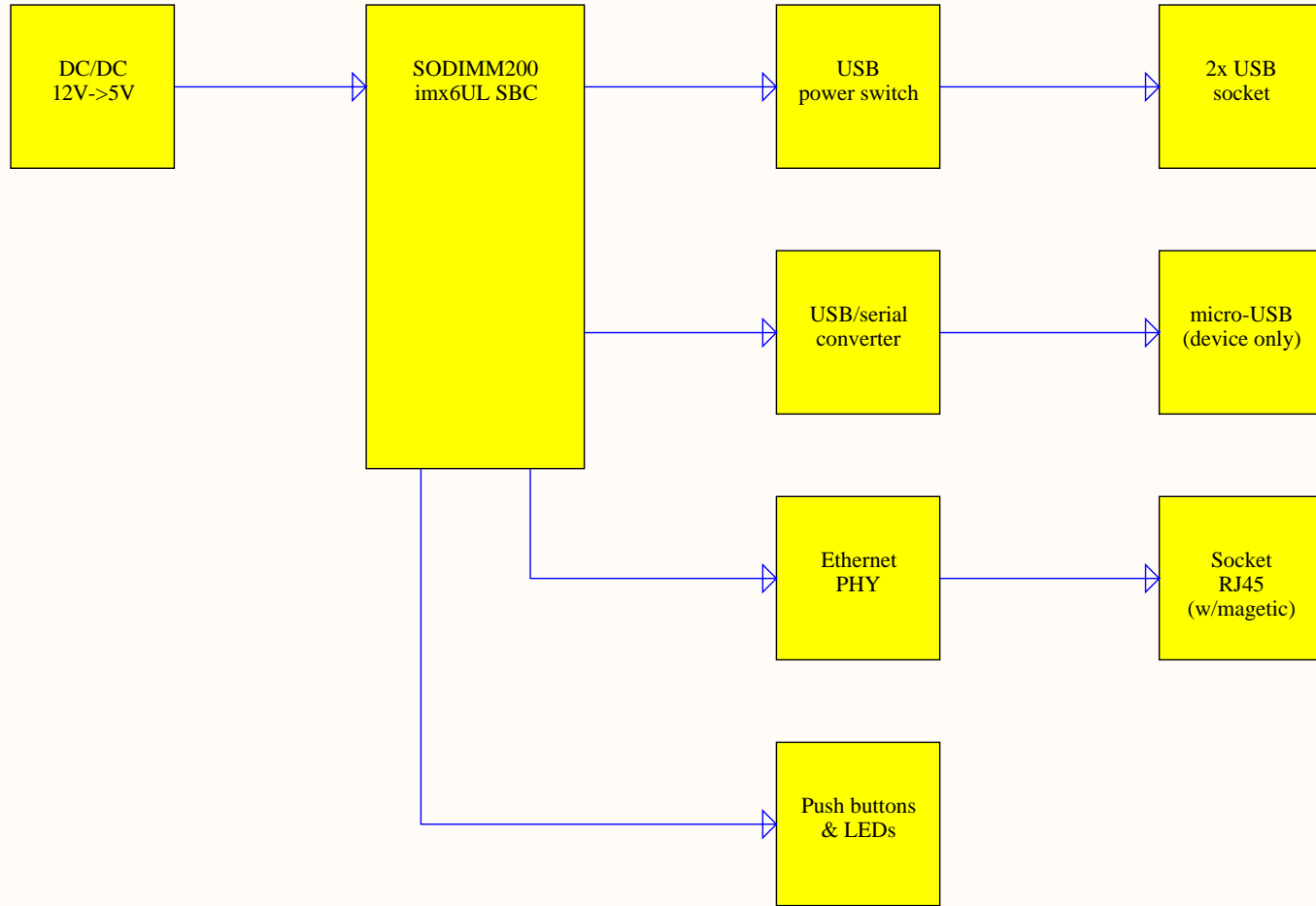
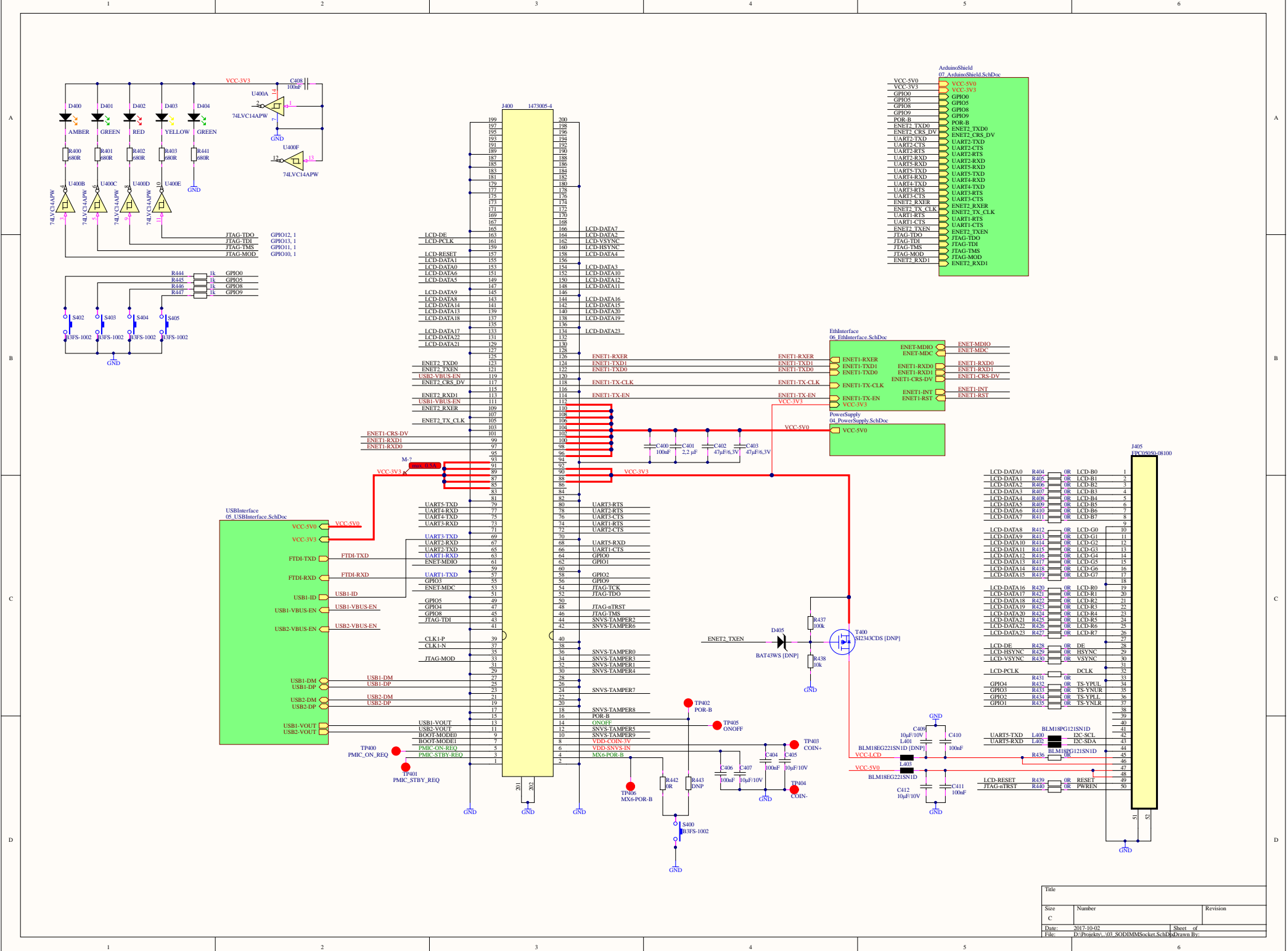


Block diagram

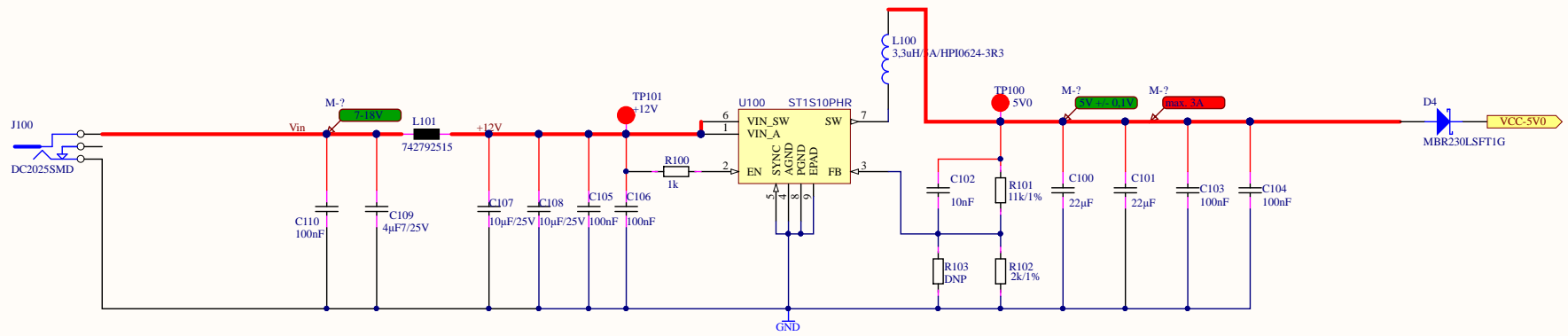


Title		
Size A3	Number	Revision
Date: 2017-10-02	Sheet of	
File: D:\Projekt\...01_BlockDiagram.SchDoc	Drawn By:	



Title		
Size	Number	Revision
C	2017-10-02	Sheet of
File: P:\Proje\03_SODIMMSocket_Sch\Drawn By:		Sheet of

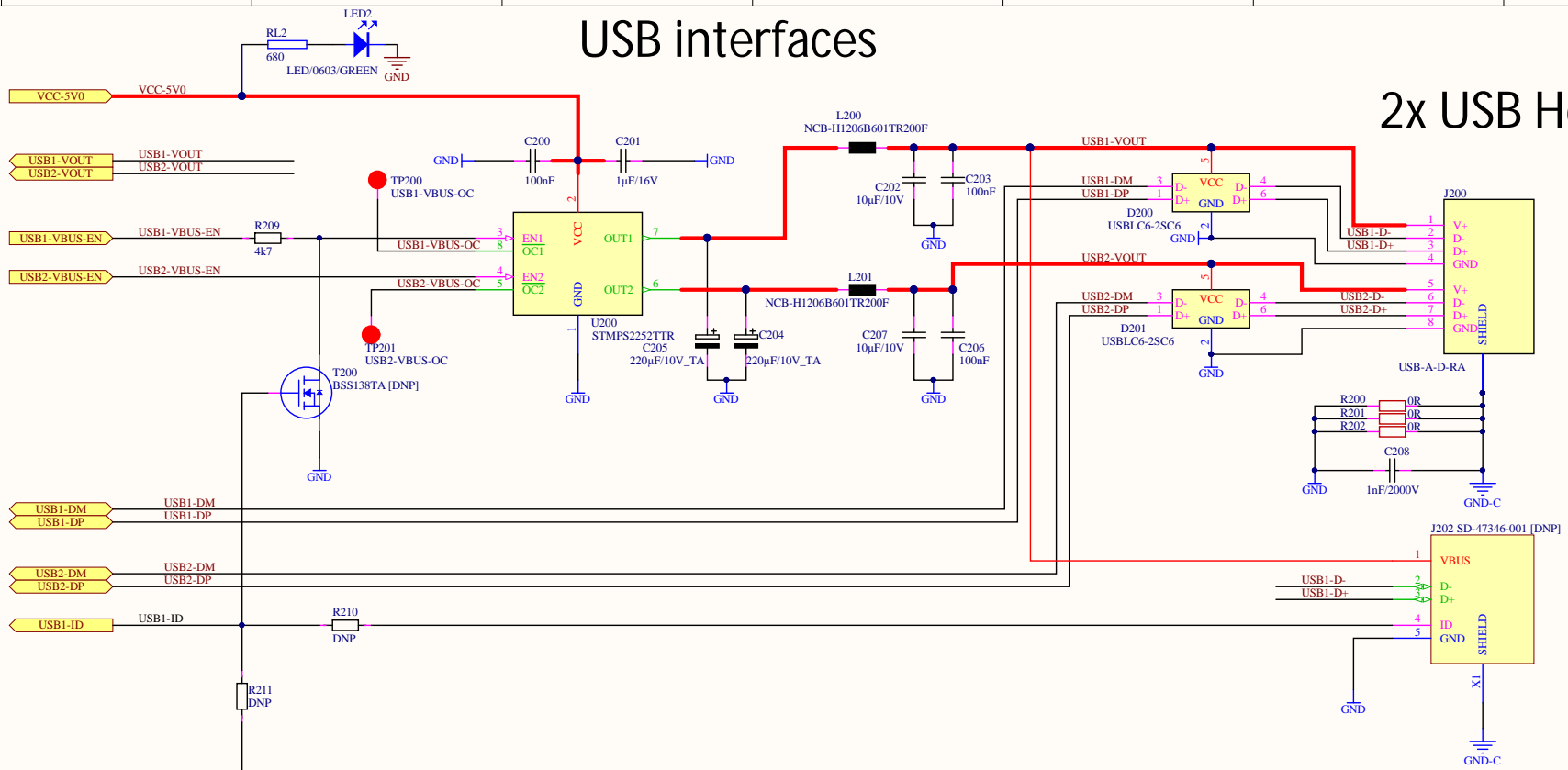
Power supply - DC/DC converter



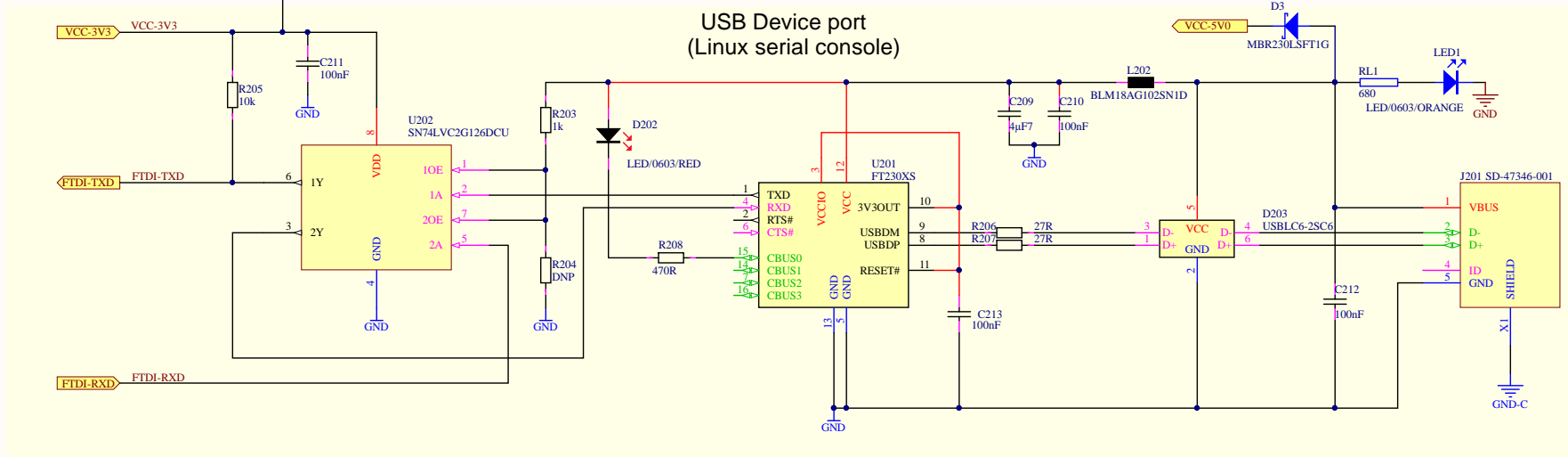
Title		
Size A3	Number	Revision
Date: 2017-10-02	Sheet of	
File: D:\Projekt\...04_PowerSupply.SchDoc	Drawn By:	

USB interfaces

2x USB Host

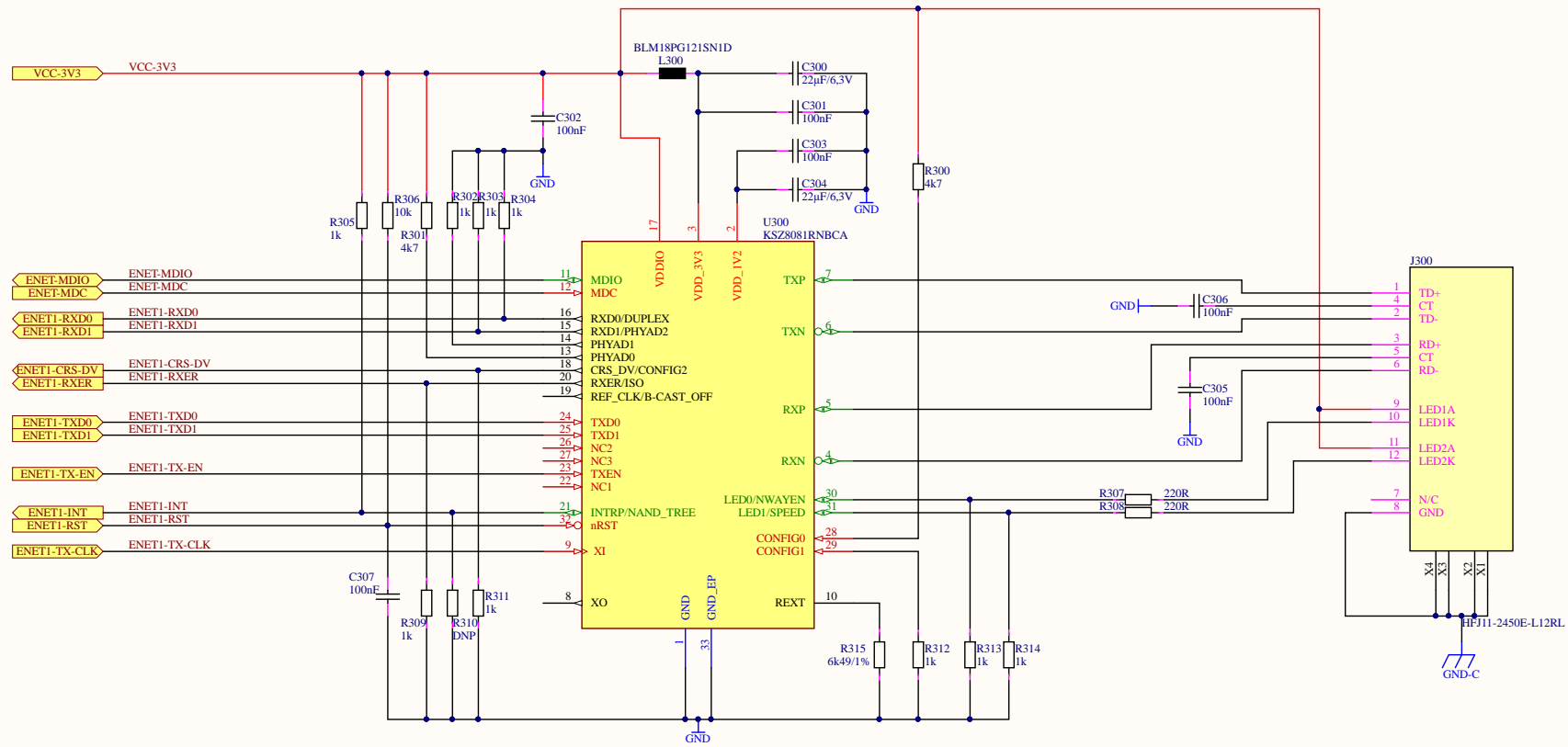


USB Device port (Linux serial console)



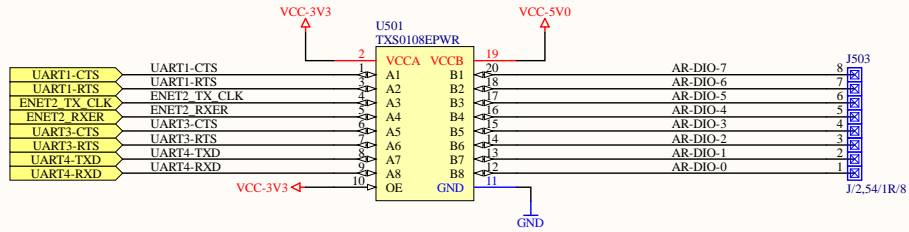
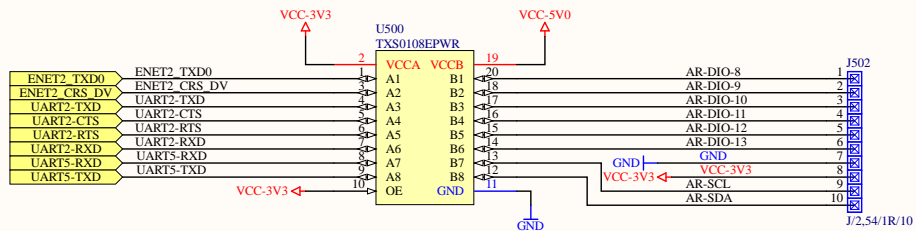
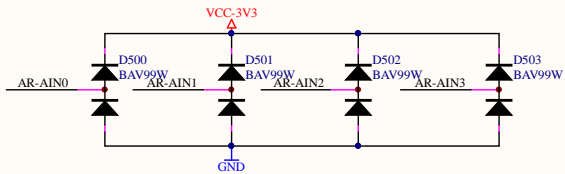
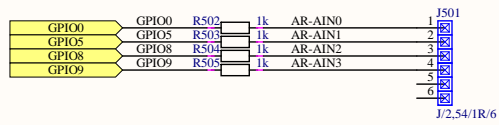
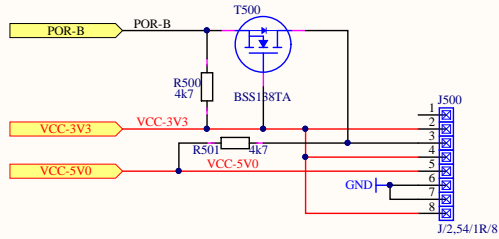
Title		
Size	Number	Revision
A3		
Date:	2017-10-02	Sheet of
File:	D:\Projektiv\...05_USBInterface.SchDoc	Drawn By:

Ethernet interface



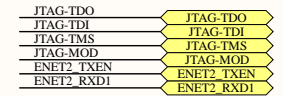
Title		
Size	Number	Revision
A3		
Date:	2017-10-02	Sheet of
File:	D:\Projekt\...06_EthInterface.SchDoc	Drawn By:

Arduino shield - compatible interface



RPI3 compatible header

Header Pin	Header Label	Header Pin	Header Label
1	VCC-3V3	11	VCC-5V0
2	UART5-RXD	12	VCC-5V0
3	UART5-TXD	13	GND
4	ENET2-TXD0	14	UART4-TXD
5	GND	15	UART4-RXD
6	ENET2-CRS-DV	16	GPIO5
7	UART1-CTS	17	GND
8	UART1-RTS	18	GPIO8
9	VCC-3V3	19	GPIO9
10	UART2-CTS	20	GND
11	UART2-RTS	21	GPIO0
12	UART2-RXD	22	UART2-TXD
13	GND	23	ENET2-TXEN
14	ENET2-TX-CLK	24	GND
15	ENET2-RXER	25	JTAG-MOD
16	UART3-CTS	26	GND
17	UART3-RTS	27	JTAG-TDO
18	ENET2-RXD1	28	JTAG-TDI
19	GND	29	JTAG-TMS
20		30	JTAG-TMS



Title		
Size	Number	Revision
A3		
Date:	2017-10-02	Sheet of
File:	D:\Projekt\...07_ArduinoShield.SchDoc	Drawn By: